

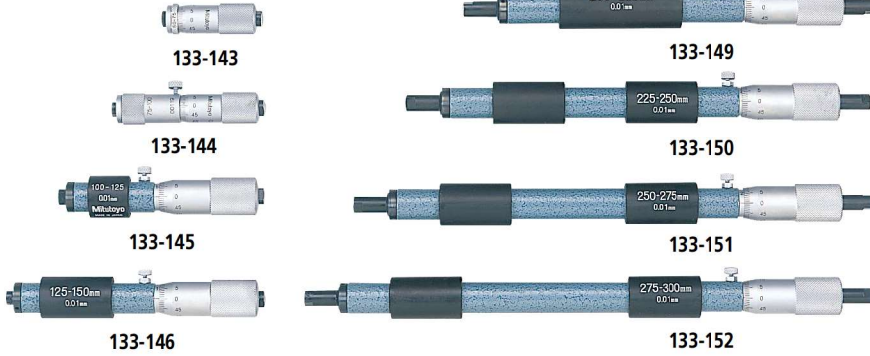
Inside Micrometers

For easy and accurate measurement of inside size and diameter

Tubular Inside Micrometers SERIES 133 — Single Rod Type

- Standard single rod type inside micrometer.
- Carbide measuring faces.
- The sleeve is rotated to adjust the reference point adjustment when setting to a length standard.
- Optional Setting Rings (nominal size below 300 mm), CERA Inside Micro Checker and Gauge Block Accessory Sets are available as reference gages datum adjustment. (Refer

to pages C-47, C-26, and E-17 to E20 for details)



133-143

133-144

133-145

133-146

133-147

133-148

133-149

133-150

133-151

133-152

SPECIFICATIONS

Metric		Individual	
Order No.	Range (mm)	Graduation (mm)	Maximum permissible error J_{MPE} (μm)
133-143	50 - 75	0.01	± 3
133-144	75 - 100		± 4
133-145	100 - 125		± 5
133-146	125 - 150		
133-147	150 - 175		
133-148	175 - 200		
133-149	200 - 225		
133-150	225 - 250		
133-151	250 - 275		± 6
133-152	275 - 300		
133-153	300 - 325		± 7
133-154	325 - 350		
133-155	350 - 375		
133-156	375 - 400		
133-157	400 - 425		
133-158	425 - 450		
133-159	450 - 475		± 9
133-160	475 - 500		
133-161	500 - 525		
133-162	525 - 550		
133-163	550 - 575		
133-164	575 - 600		
133-165	600 - 625	± 11	
133-166	625 - 650		
133-167	650 - 675		
133-168	675 - 700		
133-169	700 - 725		
133-170	725 - 750		
133-171	750 - 775	± 12	
133-172	775 - 800		
133-173	800 - 825		
133-174	825 - 850		
133-175	850 - 875		
133-176	875 - 900		
133-177	900 - 925	± 14	
133-178	925 - 950		
133-179	950 - 975		
133-180	975 - 1000		

Inch		Individual	
Order No.	Range (in)	Graduation (in)	Maximum permissible error J_{MPE} (in)
133-223	2 - 3	0.001	± 0.00015
133-224	3 - 4		± 0.0002
133-225	4 - 5		± 0.00025
133-226	5 - 6		
133-227	6 - 7		
133-228	7 - 8		
133-229	8 - 9		
133-230	9 - 10		
133-231	10 - 11		± 0.0003
133-232	11 - 12		

Single Rod Type Inside Micrometer Set



133-902

Metric			Inch		
Order No.	Range (mm)	Models included	Order No.	Range (in)	Models included
133-901	50 - 150 (4 heads/set)	133-143 133-144 133-145 133-146 with fitted case	133-903	2 - 6 (4 heads/set)	133-223 133-224 133-225 133-226 with fitted case
133-902	50 - 300 (10 heads/set)	133-143 133-144 133-145 133-146 133-147 133-148 133-149 133-150 133-151 133-152 with fitted case	133-904	2 - 12 (10 heads/set)	133-223 133-224 133-225 133-226 133-227 133-228 133-229 133-230 133-231 133-232 with fitted case

DIMENSIONS

