

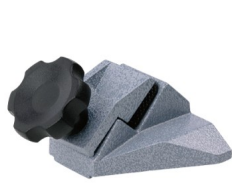
# Micrometer

The origin of Mitutoyo's trustworthy brand of small tool instruments

## Micrometer Stands SERIES 156

- Designed to allow benchtop use of hand micrometers or other gages which have frames suitable for gripping by the clamp.

B



156-105-10



156-101-10



156-102



156-105-10



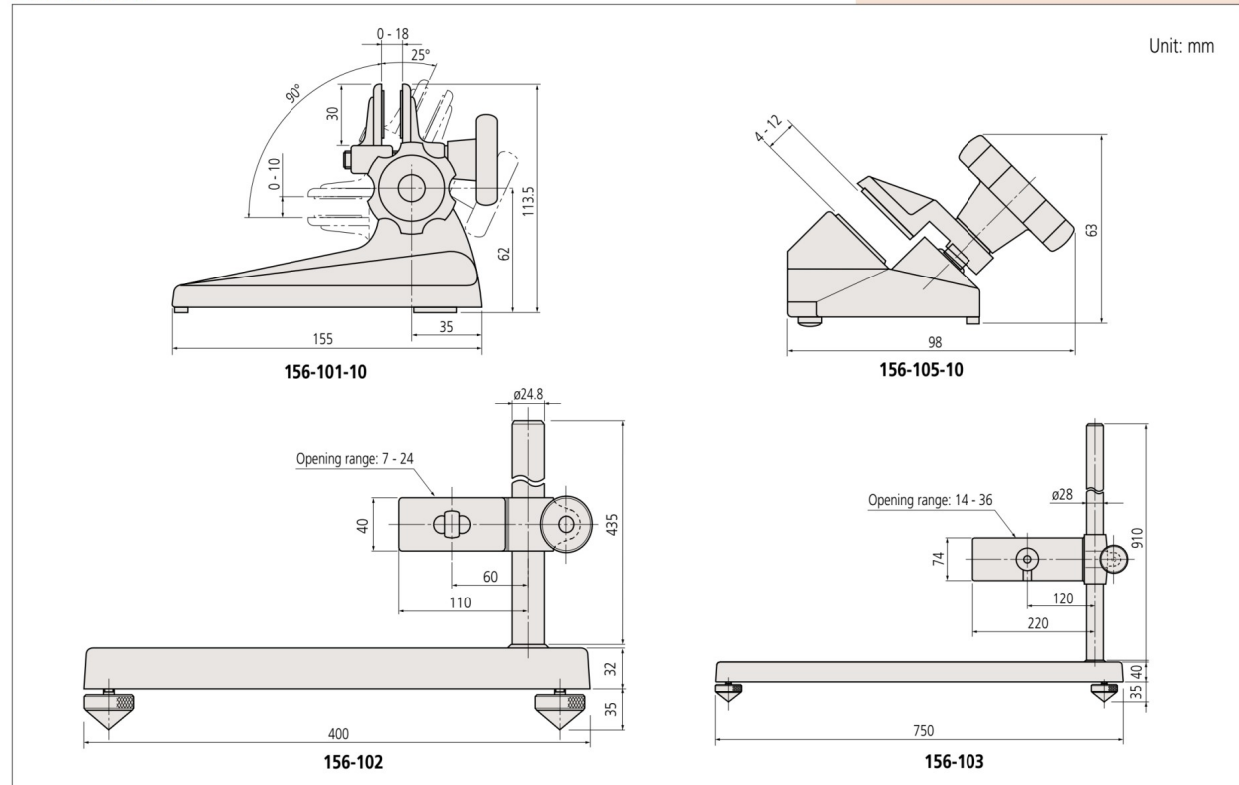
156-101-10

### SPECIFICATIONS

Order No.	Micrometer ranges	Remarks
156-101-10	Up to 100 mm (4 in)*	Adjustable angle type
156-105-10	0-25 mm (0-1 in), 25-50 mm (1-2 in)	Fixed angle type
156-102	125-300 mm (5-12 in)	Vertical type
156-103	300-1000 mm (12-40 in)	Vertical type

\* Items that cannot be mounted on these stands  
(Order No. 406-253-30, 323-253-30, 331-254-30, 342-254-30, 342-264-30, 369-253-30, 422-232-30, 422-233-30, etc.)

### DIMENSIONS



B-67

Mitutoyo reserves the right to change any or all aspects of any product specification, including prices, designs and service content, without notice.