

Dial Gage Stands SERIES 7

- A convenient supporting stand for enabling a dial indicator to be used for comparative height or thickness measurements.
- Anvil: $\varnothing 58$ mm for **7001-10**, **7002-10**
90x90 mm for **7007-10**.
- Vertical fine adjustment is available with one-touch control thanks to the parallel spring suspension.



7001-10
(with $\varnothing 58$ mm serrated anvil)



7002-10
(with $\varnothing 58$ mm non-serrated anvil)

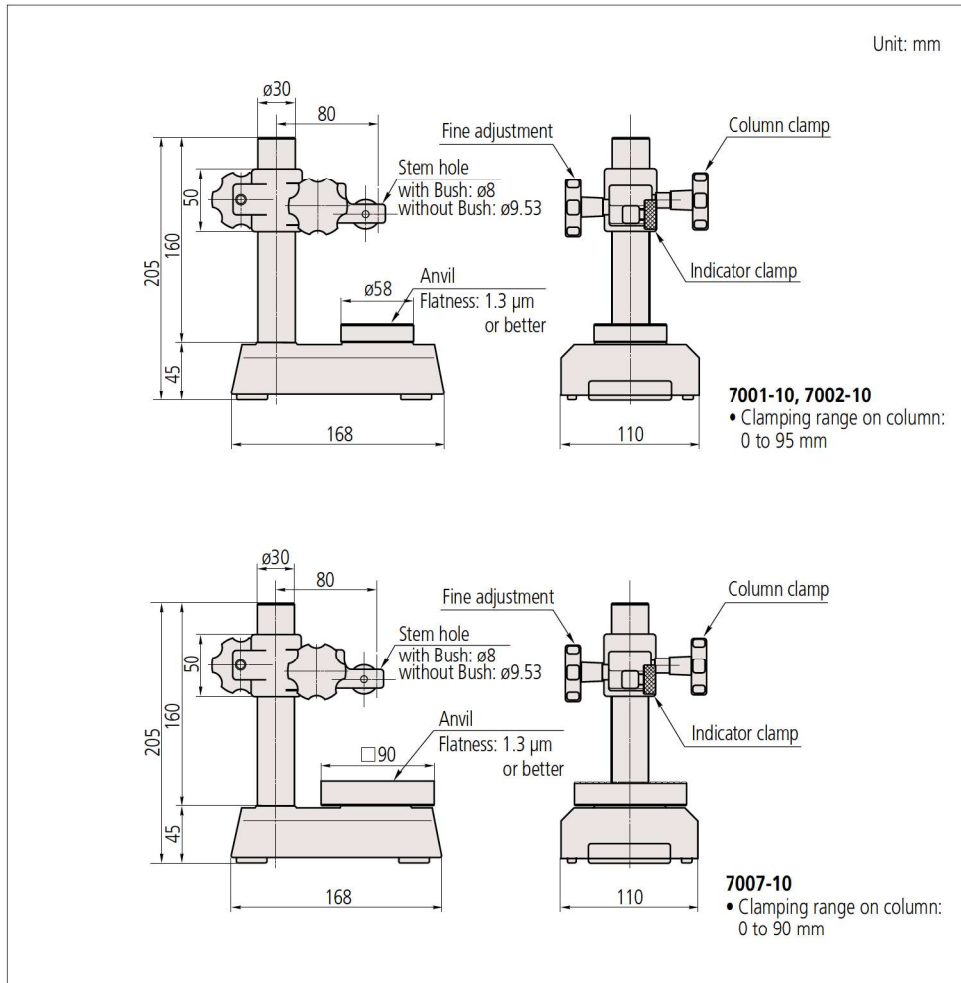


7007-10
(with 90 mm square semi-serrated anvil)

Stands

Comparison measuring instruments which ensure high quality, high accuracy and reliability.

DIMENSIONS



SPECIFICATIONS

Metric		
Order No.	Stem hole (mm)	Remarks
7001-10	ø8, ø9.53	With serrated anvil
7002-10	ø8, ø9.53	With flat anvil
7007-10	ø8, ø9.53	With square anvil

Note 1: Perpendicularity of the stem hole to the anvil is better than 0.4 mm/100 mm

Note 2: Take note that when mounting high-accuracy Linear Gages (with resolution of 0.1 μm or better) to these stands, accuracy may be affected depending on the perpendicularity of the mounting hole to the top surface of the anvil (cosine effect).

Note 3: Compact dial indicators (bezel ø31, ø36) are not suitable for use with these stands.

Accessories (for 7001-10, 7002-10)

