

Calipers

An industry standard measuring tool

Long ABSOLUTE Digimatic Caliper SERIES 500 — with Exclusive ABSOLUTE Encoder Technology

MeasurLink[®] ENABLED
Data Management Software by Mitutoyo

MeasurLink[®] ENABLED
Data Management Software by Mitutoyo

Products equipped with the measurement data output function can be connected to the measurement data network system MeasurLink (refer to page A-5 for details).

ABSOLUTE™

- Long Digital caliper incorporating an ABSOLUTE scale and available with a measuring range from 450 mm to 1000 mm.
- Allows step measurement.
- Allows integration into statistical process control and measurement systems for models with measurement data output connector. (Refer to page A-3.)
- For details of the Absolute scale and its function, refer to page D-6.



500-502-10

500-501-10

500-500-10

SPECIFICATIONS

Metric

Order No.	Range (mm)	Accuracy* (mm)	Resolution (mm)	Repeatability (mm)	Mass (g)
500-500-10	0 - 450	±0.05	0.01	0.01	1170
500-501-10	0 - 600				1350
500-502-10	0 - 1000	±0.07			3300

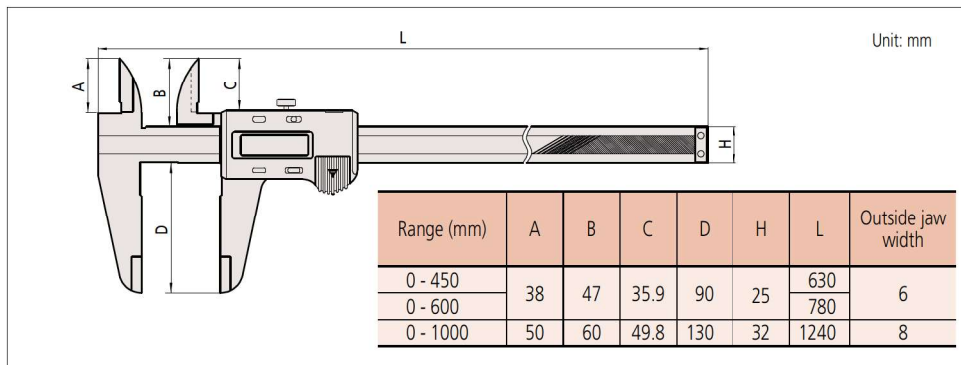
* Excluding quantizing error.
Note: Without SPC data output

Inch/Metric

Order No.	Range (in)	Accuracy* (mm)	Resolution	Repeatability (mm)	Mass (g)
500-505-10	0 - 18	±0.05	0.0005 in/0.01 mm	0.01	1170
500-506-10	0 - 24				1350
500-507-10	0 - 40	±0.07			3300

* Excluding quantizing error.
Note: Without SPC data output

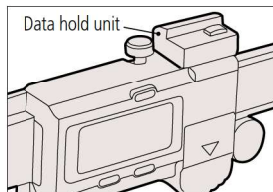
DIMENSIONS



Optional accessories

Dedicated for the models equipped with a digimatic output function. For details, refer to page A-27.

959143: Data hold unit



Connecting cables for IT/DP/MUX

959149: SPC cable with data button (1 m)

959150: SPC cable with data button (2 m)



USB Input Tool Direct

06AFM380C: SPC cable for USB-ITN-C (2 m)

Connecting cables for U-WAVE-T

02AZD790C: SPC cable with data button (160 mm)

02AZE140C: SPC cable for foot switch