

Optional Accessories for IP67 coolant proof models

For details, refer to page A-25.

- Connecting cables
 - **05CZA624**: SPC cable with data button (1 m)
 - **05CZA625**: SPC cable with data button (2 m)
 Note: Optional connecting cable is available only for water-proof type.
- USB Input Tool Direct
 - **06AFM380A**: SPC cable for **USB-ITN-A** (2 m)

Optional Accessories for other than IP67 coolant proof models

For details, refer to page A-27.

- **959143**: Data hold unit
- Connecting cables for **IT/DP/MUX**
 - **959149**: SPC cable with data button (1 m)
 - **959150**: SPC cable with data button (2 m)
- USB Input Tool Direct
 - **06AFM380C**: SPC cable for **USB-ITN-C** (2 m)
- Connecting cables for **U-WAVE-T**
 - **02AZD790A**: SPC cable with data button (160 mm)
 - **02AZE140A**: SPC cable for foot switch

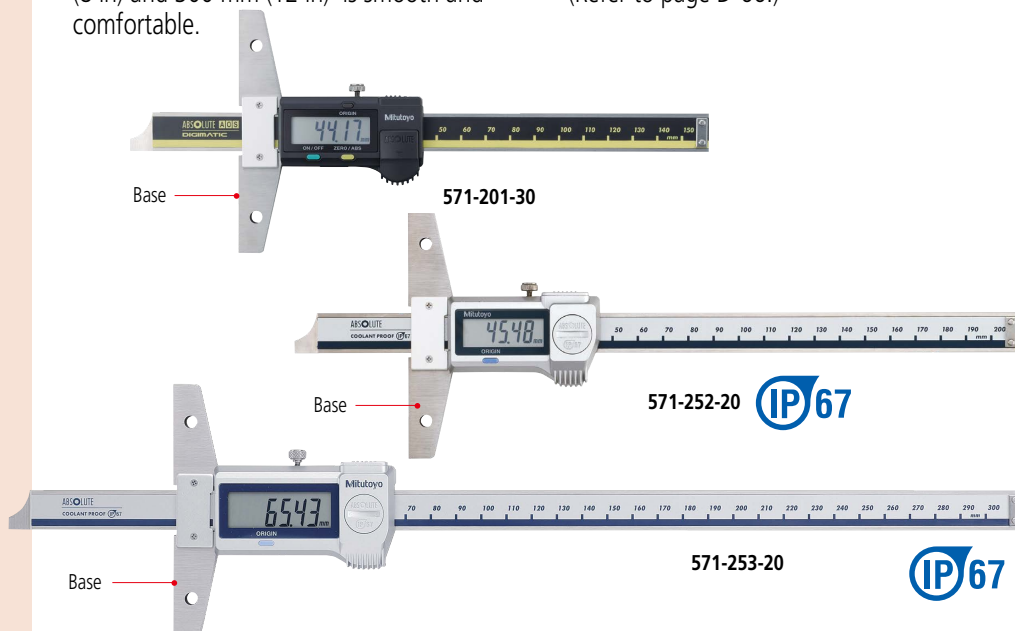
Wireless Data Output

U-WAVE fit

- **U-WAVE-TC**: **264-620** (IP67 type)
264-621 (Buzzer type)
 - **U-WAVE-TCB Transmitter (Mitutoyo Bluetooth® U-WAVE)**
264-624 (IP type)
264-625 (Buzzer type)
- Refer to page A-15 for details.
- Connecting unit for **U-WAVE-TC/TCB**
02AZF310 (IP67 type)
- Note: IP67 model is water/dust-proofed suitable for the factory floor.
Buzzer type is not water/dust-proofed.
Refer to pages A-16 and A-18 for details.

ABSOLUTE Digimatic Depth Gauge SERIES 571

- Coolant proof models achieve IP67 protection level.
- Enables stable depth measurement with a resolution of 0.01 mm.
- ABSOLUTE Digital Caliper (Refer to page D-6 for ABSOLUTE function).
- Sliding operation of models with the measuring ranges 150 mm (6 in), 200 mm (8 in) and 300 mm (12 in) is smooth and comfortable.
- Allows integration into statistical process control and measurement systems for models with measurement data output connector. (Refer to page A-3.)
- Battery: SR44 (1 pc), **938882**. For initial operational checks (standard accessory).
- Optional longer extension bases are available. (Refer to page D-66.)



SPECIFICATIONS

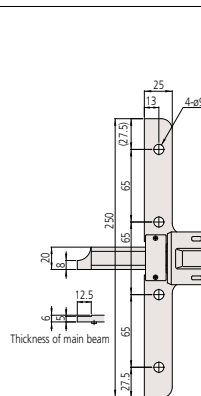
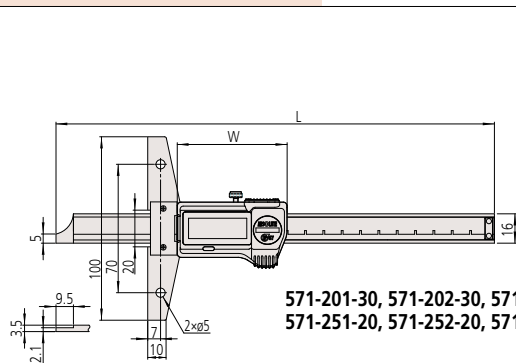
Metric					
Order No.	Range (mm)	Resolution (mm)	Battery life	Base (W×T) (mm)	Maximum Permissible Error*1 (mm)/EMPE
571-201-30	0 - 150	0.01	5 years	100×6	±0.02
571-202-30	0 - 200				
571-203-30	0 - 300				
571-251-20 *2	0 - 150				±0.02
571-252-20 *2	0 - 200				
571-253-20 *2	0 - 300				
571-204-10 *3	0 - 450	0.01	3 years	250×10	±0.05
571-205-10 *3	0 - 600				
571-206-10 *3	0 - 750				
571-207-10 *3	0 - 1000				±0.06

Inch / Metric					
Order No.	Range (in)	Battery life	Base (W×T) (in)	Maximum Permissible Error*1 (mm)/EMPE	
571-211-30	0 - 6	5 years	3.93×0.23	±0.001 in/±0.02 mm	
571-212-30	0 - 8			±0.0015 in/±0.02 mm	
571-213-30	0 - 12			±0.0015 in/±0.03 mm	
571-261-20 *2	0 - 6			±0.001 in/±0.02 mm	
571-262-20 *2	0 - 8			±0.001 in/±0.02 mm	
571-263-20 *2	0 - 12			±0.0015 in/±0.03 mm	
571-214-10 *3	0 - 18	3 years	9.8×0.39	±0.002 in/±0.05 mm	
571-215-10 *3	0 - 24			±0.002 in/±0.05 mm	
571-216-10 *3	0 - 30			±0.0025 in/±0.06 mm	
571-217-10 *3	0 - 40			±0.0025 in/±0.07 mm	

*1 Maximum Permissible Error, EMPE, is the term (notation) used in JIS B 7517: 2018, revised based on ISO/TR 14253-6: 2012.
*2 IP67 Coolant Proof model
*3 Cannot be used with **U-WAVE-TC**

*1 Maximum Permissible Error, EMPE, is the term (notation) used in JIS B 7517: 2018, revised based on ISO/TR 14253-6: 2012.
*2 IP67 Coolant Proof model
*3 Cannot be used with **U-WAVE-TC**

DIMENSIONS



Unit: mm

Range (mm)	L	W	Base thickness
0 - 150	239	59.2	6
0 - 200	289		6
0 - 300	403 (404)	94	6 (6.3)
0 - 450	635		10
0 - 600	785		10
0 - 750	935		10
0 - 1000	1200		10

(): Coolant Proof models

**571-204-10, 571-205-10,
571-206-10, 571-207-10**