



Technical Explanation

Measurement procedure



A consistently low measuring force can be guaranteed by only taking measurements when the pointer is between the two fiducial lines.

Technical Data

- Accuracy: Refer to the list of specifications. (excluding quantizing error)
- Resolution: 0.01 mm or 0.0005 in/0.01 mm
- Display: LCD
- Scale type: ABSOLUTE electromagnetic inductive linear encoder
- Jaw retraction: 0.3 mm
- Max. response speed: Unlimited
- Battery: SR44 (1 pc), **938882**, for initial operational checks (standard accessory)
- Battery life: Approx. 3.5 years under normal use

Optional Accessories

For details, refer to page A-27.

- **959143**: Data hold unit
- Connecting cables for **IT/DP/MUX**
- **959149**: SPC cable with data button (1 m)
- **959150**: SPC cable with data button (2 m)
- USB Input Tool Direct
- **06AFM380C**: SPC cable for **USB-ITN-C** (2 m)
- Connecting cables for **U-WAVE-T**
- **02AZD790A**: SPC cable with data button (160 mm)
- **02AZE140A**: SPC cable for foot switch

Wireless Data Output U-WAVE™

- **U-WAVE-TC**: **264-620** (IP67 type)
- **264-621** (Buzzer type)
- **U-WAVE-TCB Transmitter (Mitutoyo Bluetooth® U-WAVE)**
- **264-624** (IP type)
- **264-625** (Buzzer type)

Refer to page A-15 for details.

- Connecting unit for **U-WAVE-TC/TCB**
- **02AZF300** (Buzzer type)

Note: IP67 model is water/dust-proofed suitable for the factory floor.

Buzzer type is not water/dust-proofed. Refer to pages A-16 and A-18 for details.

ABSOLUTE Low Force Caliper SERIES 573

- An ABSOLUTE electromagnetic induction linear encoder system is incorporated.
- Enables accurate measurement of plastic parts and other workpieces that are difficult to measure with conventional calipers due to deformation.
- Allows fine feeding easily by using thumb roller.
- Displacement of main scale jaw is 0.3 mm.
- Measuring force: 0.5 N to 1.0 N
- Absolute type. (Refer to page D-6 for a description of Absolute measurement.) Slider action is smooth, firm and comfortable.
- Allows integration into statistical process control and measurement systems for models with measurement data output connector. (Refer to page A-3.)



573-191-30

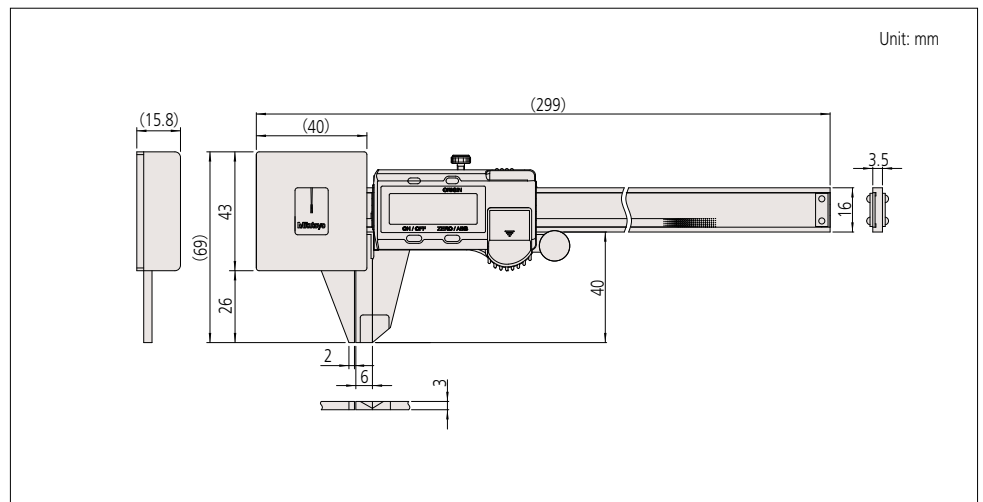
SPECIFICATIONS

Metric		
Order No.	Range (mm)	Accuracy (mm)*
573-191-30	0 - 180	±0.05

Inch / Metric		
Order No.	Range (in)	Accuracy (in)*
573-291-30	0 - 7	±0.002

* Excluding quantizing error.
Note: Dedicated for outside measurement (depth bar is not fitted).

DIMENSIONS



Unit: mm