

Micrometer

The origin of Mitutoyo's trustworthy brand of small tool instruments

QUICKmini SERIES 700

- Lightweight, compact, palm-sized device.
 - Measurement of small, thin workpieces is possible by only a single operation.
 - Electromagnetic induction type ABSOLUTE encoder is adopted.
 - Built-in ABS (absolute) scale requires no zero-set every time the power is turned on. In addition, reliability has improved by eliminating overspeed errors.
 - Measurement readout with large characters on the LCD reduces eye fatigue.
- **Typical applications:**
 - Measurement of small workpieces: Pearl, jewel, engine tappet shim, screws.
 - Measurement of thin workpieces: Printing paper, polyethylene bags, sheet material, noodles and other food products, medium substrate, foil, thin plate, filter cloth and other medical supplies.
 - Measurement of thin lines and bars: Fishing line, dental reamers, spaghetti, drill for PCBs, wiring.



SPECIFICATIONS

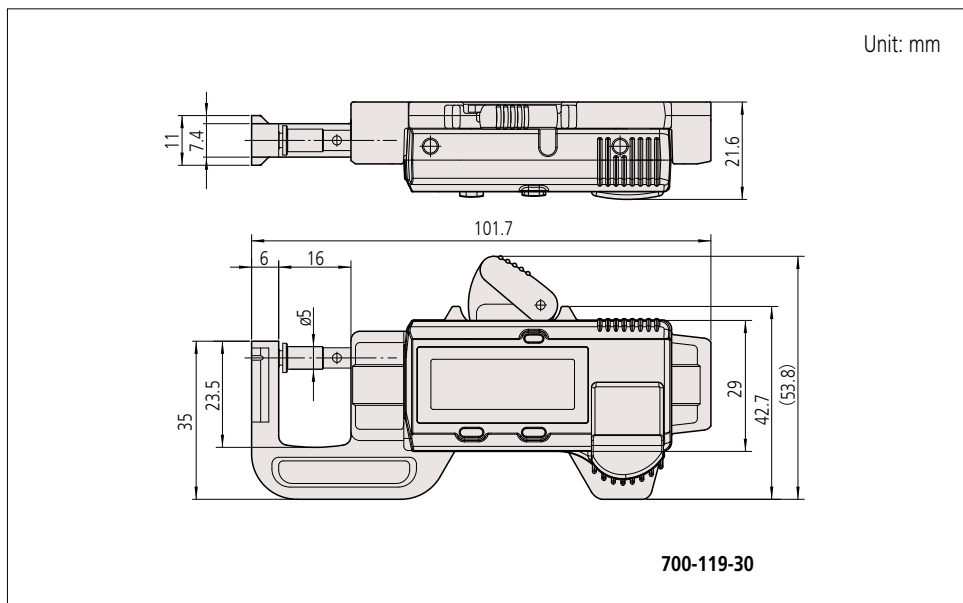
Metric				
Order No.	Range (mm)	Resolution (mm)	Accuracy* (mm)	Mass (g)
700-119-30	0 - 12	0.01	±0.02	100

* Excluding quantizing error of ±1 count

Inch/Metric				
Order No.	Range (in)	Resolution	Accuracy* (in)	Mass (g)
700-118-30	0 - 0.5	0.0005 in/0.01 mm	±0.001	100

* Excluding quantizing error of ±1 count

DIMENSIONS



Technical Data

SR44 (1 pc.), **938882**, for initial operational checks (standard accessory)

Silver oxide button cell battery SR44 (**938882**), 1 pc. for monitor (standard accessory)

Functions

ABS measurement function:

after a data is displayed, next measurement can be performed without zero-setting. Also, the ABS origin point can be changed with ORIGIN switch.

INC measurement function:

clears the displayed data at any point. The comparative measurement can be easily performed.

Low battery alarm:

notifies that the battery is worn with "B" mark before becoming immeasurable. Thus, the timing for battery replacement can be confirmed in advance.