

Micrometer

The origin of Mitutoyo's trustworthy brand of small tool instruments

Tube Micrometers SERIES 395, 115, 295

MeasurLink ENABLED
Data Management Software by Mitutoyo

- Measuring faces: Carbide.
(**115-101**: only the spindle is carbide tipped.)
- **series 395**: IP65 digital spherical-flat anvil type micrometer.
- Equipped with Ratchet Stop for constant measuring force.



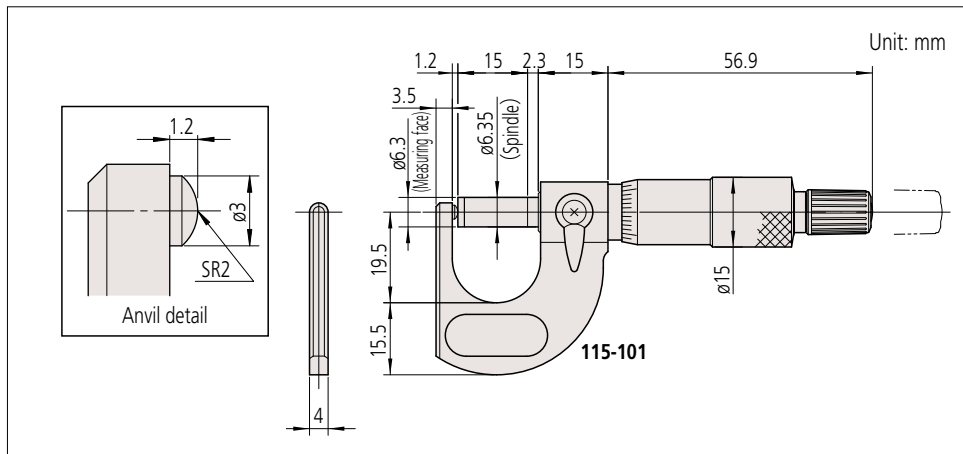
SPECIFICATIONS

Metric				
Order No.	Range (mm)	Resolution (mm)	Maximum permissible error J_{MPE} (μm)	ϕD
Digimatic (LCD)				
395-251-30	0 - 25	0.001	± 2	$\phi 15$
395-252-30	25 - 50			$\phi 19$
395-253-30	50 - 75			$\phi 20$
395-254-30	75 - 100			± 3

Metric				
Order No.	Range (mm)	Graduation (mm)	Maximum permissible error J_{MPE} (μm)	ϕD
Analog				
115-101	0 - 15	0.01	± 3	$\phi 5.5$
115-115	0 - 25			$\phi 10$
115-116	25 - 50			$\phi 11$
115-117	50 - 75			$\phi 17$
115-118	75 - 100			$\phi 18$
Mechanical counter model				
295-115	0 - 25		± 3	$\phi 10$

Note: For functional details of **series 395** refer to page B-8.
Optional connecting cable is available only for water-proof type (Digimatic model).

DIMENSIONS



MeasurLink ENABLED
Data Management Software by Mitutoyo

Products equipped with the measurement data output function can be connected to the measurement data network system MeasurLink (refer to page A-5 for details).



These marks indicate that a product has successfully passed IP65-level testing, which is carried out by the independent German certification organization TÜV Rheinland.

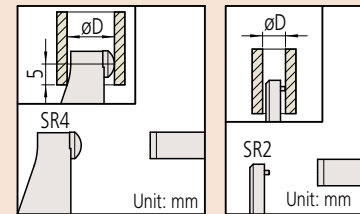


IP Codes (series 395)

- Level 6: Dust-proof.
No ingress of dust allowed.
- Level 5: Protected against water jets.
Water projected in jets against the enclosure from any direction shall have no harmful effects.

Technical Data

- Flatness: 0.6 μm /0.000024 in (**series 115 & 295**)
0.3 μm /0.000012 in (**series 395**)



Other than **115-101** **115-101**

Technical Data

- Battery for **series 395**
SR44 (1 pc.), **938882**, for initial operational checks (standard accessory)
- Battery life: Approx. 2.4 years under normal use (for **series 395**)
- Length standard: Electromagnetic rotary sensor (for **series 395**)
- Standard accessories: Reference bar, 1 pc.
(except for measuring range 0 to 15 mm/0 to 25 mm (0 to 1 in) models)
Spanner (**200168**), 1 pc. (for **series 115-101**)
Spanner (**301336**), 1 pc. (for models other than **series 115-101**)

Optional Accessories

- Connecting cables for **series 395**
1 m: **05CZA662**
2 m: **05CZA663**
- USB Input Tool Direct
USB-ITN-B (2 m): **06AFM380B**
- **U-WAVE-T** dedicated connection cable
160 mm: **02AZD790B**
For foot switch: **02AZE140B**
Refer to page A-27 for details.

Wireless Data Output **U-WAVE** fit

- **U-WAVE-TM** **264-622** (IP67 type)
264-623 (Buzzer type)
- **U-WAVE-TMB** Transmitter
Mitutoyo Bluetooth® **U-WAVE**
264-626 (IP type)
264-627 (Buzzer type)
Refer to page A-16 for details.
- Connecting unit for **U-WAVE-TM/TMB**
02AZF310 (IP67/buzzer type common specification)
Refer to pages A-16 and A-18 for details.

Micrometer

The origin of Mitutoyo's trustworthy brand of small tool instruments

Tube Micrometers SERIES 395, 115, 295 — Spherical and Cylindrical Anvil Type

MeasurLink[®] ENABLED
Data Management Software by Mitutoyo

- Spindle face: Carbide.
- **Series 395:** IP65 spherical and cylindrical anvil type digital micrometers.

- Equipped with Ratchet Stop for constant measuring force.



SPECIFICATIONS

Metric				
Order No.	Range (mm)	Resolution (mm)	Maximum permissible error J_{MPE} (μ m)	Remarks
Digimatic (LCD)				
395-261-30	0 - 25	0.001	± 3	Type A
395-262-30				Type B
395-263-30				Type C
395-264-30				Type D

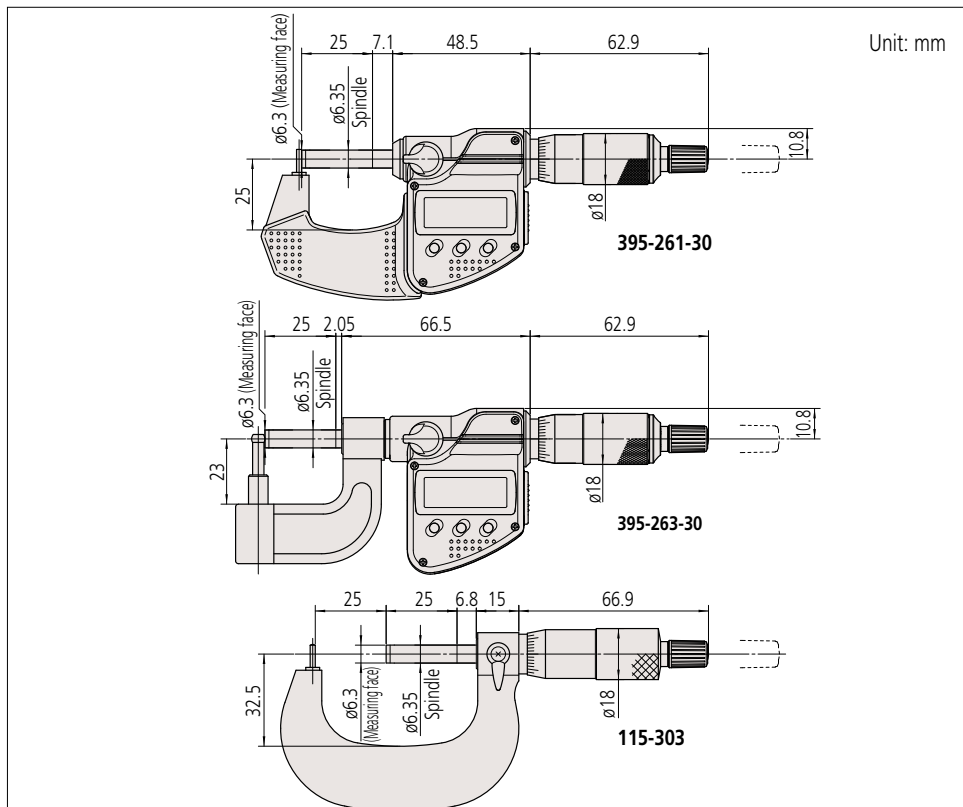
Inch / Metric				
Order No.	Range (in)	Resolution	Maximum permissible error J_{MPE} (in)	Remarks
Digimatic (LCD)				
395-362-30	0 - 1	0.00005 in / 0.001 mm	± 0.00015	Type B
395-363-30				Type C
395-364-30				Type D
				Type A

Metric				
Order No.	Range (mm)	Graduation (mm)	Maximum permissible error J_{MPE} (μ m)	Remarks
Analog				
115-302	0 - 25	0.01	± 3	Type A
115-308				Type B
115-303	25 - 50	0.01	± 3	Type A
115-309				Type B
115-315	0 - 25	0.01	± 3	Type C
115-316				Type D

Inch				
Order No.	Range (in)	Graduation (in)	Maximum permissible error J_{MPE} (in)	Remarks
Analog				
115-305	0 - 1	0.001	± 0.00015	Type A
115-313				Type C
115-314		0.0001		Type D

Note: For functional details of **series 395** refer to page B-8.
Optional connecting cable is available only for water-proof type (Digimatic model).

DIMENSIONS



MeasurLink[®] ENABLED
Data Management Software by Mitutoyo

Products equipped with the measurement data output function can be connected to the measurement data network system MeasurLink (refer to page A-5 for details).



These marks indicate that a product has successfully passed IP65-level testing, which is carried out by the independent German certification organization TÜV Rheinland.



IP Codes (series 395)

- Level 6: Dust-proof.
No ingress of dust allowed.
- Level 5: Protected against water jets.
Water projected in jets against the enclosure from any direction shall have no harmful effects.

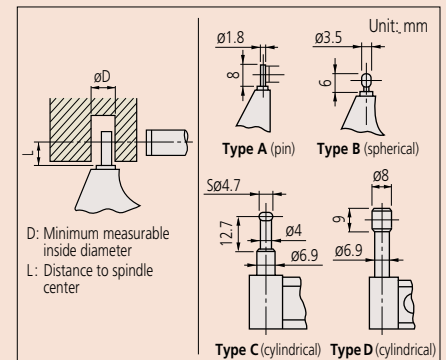
Type A (pin)

Type B (spherical)



Type C (cylindrical)

Type D (cylindrical)



Anvil	ϕD	L
Type A	$\phi 2.0$	4
Type B	$\phi 3.6$	4
Type C	$\phi 4.8$	12
Type D	$\phi 8.2$	22

Technical Data

- Battery for **series 395**
SR44 (1 pc.), **938882**, for initial operational checks (standard accessory)
- Battery life: Approx. 2.4 years under normal use (for **series 395**)
- Length standard: Electromagnetic rotary sensor (for **series 395**)
- Standard accessories: Reference bar, 1 pc. (except for measuring range 0 to 25 mm (0 to 1 in) models)
Spanner (**301336**), 1 pc.

Optional Accessories

- Connecting cables for **series 395**
1 m: **05CZA662**
2 m: **05CZA663**
- USB Input Tool Direct
USB-ITN-B (2 m): **06AFM380B**
- **U-WAVE-T** dedicated connection cable
160 mm: **02AZD790B**
For foot switch: **02AZE140B**
Refer to page A-27 for details.

Wireless Data Output **U-WAVE**

- **U-WAVE-TM 264-622** (IP67 type)
264-623 (Buzzer type)
- **U-WAVE-TMB** Transmitter
Mitutoyo Bluetooth[®] U-WAVE 264-626 (IP type)
264-627 (Buzzer type)
Refer to page A-16 for details.
- Connecting unit for **U-WAVE-TM/TMB**
02AZF310 (IP67 / buzzer type common specification)
Refer to pages A-16 and A-18 for details.

