

# Mitutoyo

Mitutoyo Quality

## Portable Surface Roughness Tester Surftest SJ-410 Series

Form Measurement

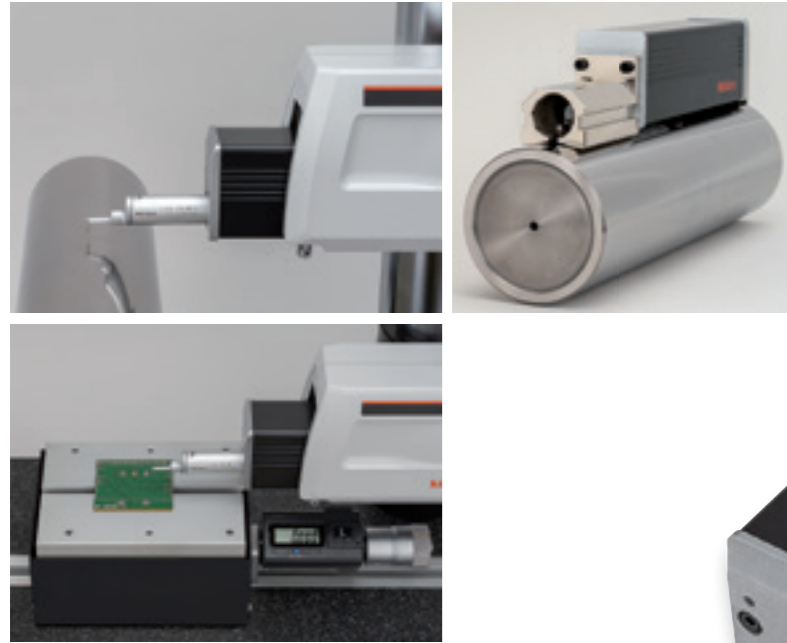


Catalog No. E15014(5)

Portable Surface Roughness Tester

# Surftest SJ-410 Series

*Analysis functions that are a notch above the usual*



**Touch screen for easier operations**

The high-visibility color-graphic LCD touch screen clearly displays calculated results and assessed profiles. A backlight enables comfortable viewing even under poor lighting conditions.

**1**  
User benefit  
Easy and safe measurements that anyone can perform efficiently

**2**  
User benefit  
Higher level of quality control

**3**  
User benefit  
Doing double duty for space saving



**SJ-412**  
Traverse range 50 mm

**SJ-411**  
Traverse range 25 mm

User benefit



Easy and safe measurements that anyone can perform efficiently

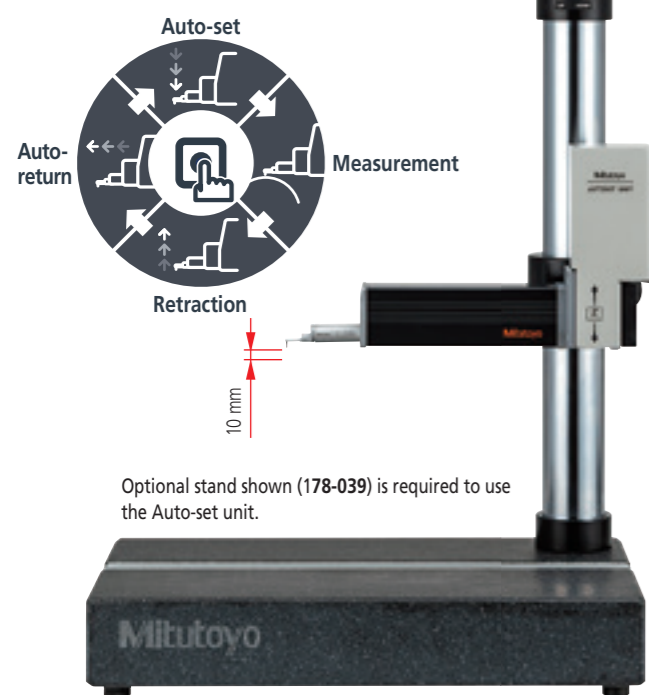
The auto-set unit\* enables measurements to be made with a single button push, saving you time and increasing work efficiency.



The auto-set function safely controls descent of the detector, eliminating the possibility of operator error causing damage to the stylus.

**Auto-set unit\* 178-010**

This unit automatically completes a full measurement cycle of stylus contact, measurement, stylus retraction and detector auto-return from just one button push (stylus retraction and detector auto-return can be switched on and off by operating the drive unit).

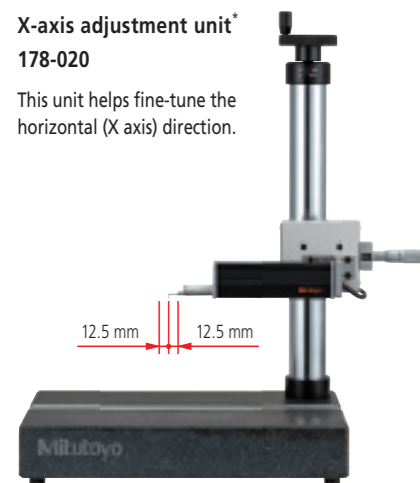


Optional stand shown (178-039) is required to use the Auto-set unit.

**Options for SJ-410 Series**

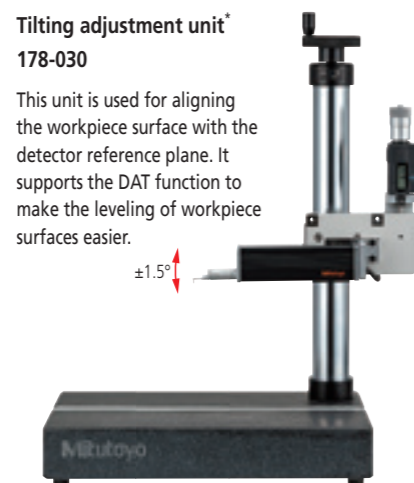
**X-axis adjustment unit\* 178-020**

This unit helps fine-tune the horizontal (X axis) direction.



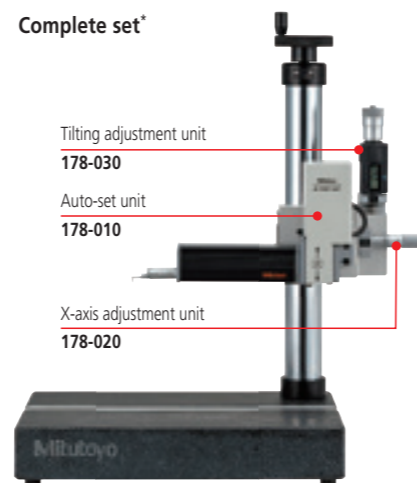
**Tilting adjustment unit\* 178-030**

This unit is used for aligning the workpiece surface with the detector reference plane. It supports the DAT function to make the leveling of workpiece surfaces easier.



**Complete set\***

- Tilting adjustment unit 178-030
- Auto-set unit 178-010
- X-axis adjustment unit 178-020



\* This is an optional accessory for the SJ-410 Series. It can only be used on the simple column stand (optional accessory, Code No. 178-039). When the units are used in combination, straightness for SJ-411/412 drive unit will be degraded about 0.2 μm. Cannot be used when the tester's main unit is an older model (SJ-401/402).

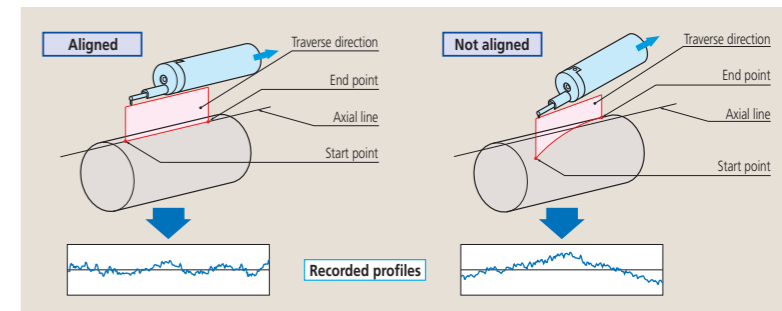
**Assessing a single measurement result under two different evaluation conditions**

A single measurement enables simultaneous analysis under two different evaluation conditions. A single measurement allows calculation of parameters and analysis of filtered profiles without the need for recalculation after saving data, contributing to higher work efficiency.



**3-axis Adjustment Table <Option> 178-182**

This table helps make the alignment adjustments required when measuring cylindrical surfaces. The corrections for the pitch angle and the swivel angle are determined from a preliminary measurement and the Digimatic micrometers are adjusted accordingly. A flat-surfaced workpiece can also be leveled with this table.



**DAT Function for the leveling table <Option>**

The levelling table can be used to align the surface to be tested with the detector reference plane. The operator is guided through the procedure by screen prompts.



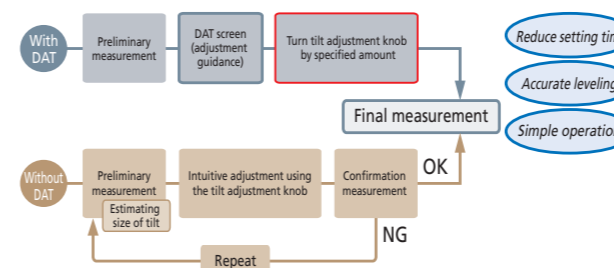
**178-196**  
Inclination adjustment angle: ±1.5°  
Table dimensions: 130x100 mm  
Maximum load: 15 kg



Digimatic micrometer head  
Leveling table (DAT) (Option)

**Powerful support for leveling**

The height/tilt adjustment unit comes as standard for leveling the drive unit prior to making skidless measurements and, supported by guidance from the unique DAT function, makes it easy to achieve highly accurate alignment.



**Simple column stand for SJ-410 Series <Option>**

**178-039**  
Vertical adjustment range: 250 mm  
Dimensions: 400x250x578 mm  
Mass: 20 kg



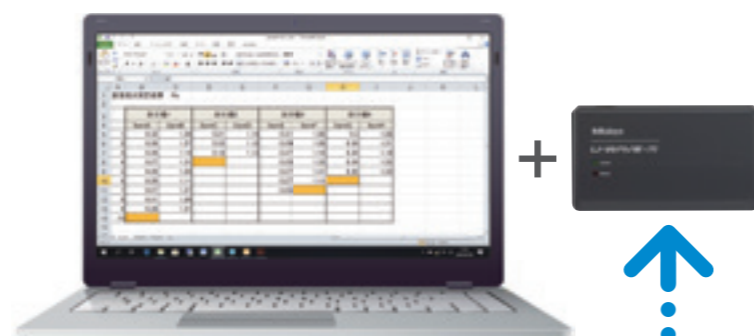
Combining (adjustment guidance)

User benefit **2**

Higher level of quality control

Wireless communication and advanced analysis

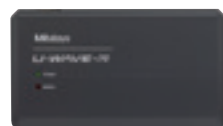
Anyone can easily perform high-level data collection.



Wireless and quick capture of measurement results on a PC. No more handwriting, and also easy data input with a single touch <Option>

**Wireless Input Tool U-WAVE**

This unit allows you to remotely load SurfTest SJ-410 calculation results (SPC output) into commercial spreadsheet software on a PC. You can essentially use a one-touch operation to enter the calculation results (values) into the cells in the spreadsheet software.



**U-WAVE-R** (Connects to the PC) 02AZD810D



**U-WAVE-T\*** (Connects to the SJ-410) 02AZD880G  
\* Requires the optional SurfTest SJ-410 connection cable. 02AZD790D

**One-touch Input USB Input Tool**

This unit allows you to load SurfTest SJ-410 calculation results (SPC output) into commercial spreadsheet software on a PC via a USB connector. You can essentially use a one-touch operation to enter the calculation results (values) into the cells in the spreadsheet software.



**USB Input Tool Direct** USB-ITN-D 06AFM380D



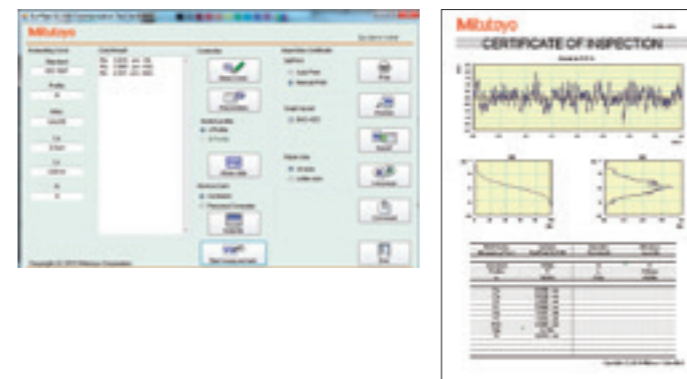
**USB keyboard signal conversion type\*** IT-020U 264-020  
\* Requires the optional SurfTest SJ-410 connection cable. 1 m: 936937 2 m: 965014

More advanced analysis with optional software. Also, easy creation of inspection record tables by transferring data to Excel

For SURFTEST SJ-410 Series

**Simplified Communication Program (Free software)**

The SurfTest SJ-410 Series has a USB interface, enabling setting up of measurement conditions and starting the measurement via PC. We also provide a program that lets you create inspection record tables using a Microsoft Excel\* macro.



This program can be downloaded free of charge from the Mitutoyo website. <https://www.mitutoyo.co.jp/eng/>

**Required environment\***

- OS: Windows 7, Windows 8, Windows 10
- Spreadsheet software: Microsoft Excel 2010, Microsoft Excel 2013, Microsoft Excel 2016

\* Windows OS and Microsoft Excel are products of Microsoft Corporation.

The optional USB cable is also required.

USB cable for SJ-410 Series 12AAD510

**Contour/Roughness analysis software**

**FORMTRACEPAK-AP**

More advanced analysis can be performed by loading SJ-410 Series measurement data to software program FORMTRACEPAK-AP via a memory card (option) for processing back at base.

**Higher accuracy measurements with selectable drive unit**

**A wide range, high-resolution detector**

- Detector
  - Measuring range/resolution: 800 μm/0.01 μm, 80 μm/0.001 μm, 8 μm/0.0001 μm



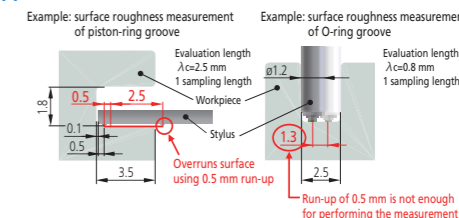
**High straightness drive unit**

- Drive unit
  - Straightness/traverse length: 0.3 μm/25 mm (SJ-411), 0.5 μm/50 mm (SJ-412)

**Extending measurement to narrow features**

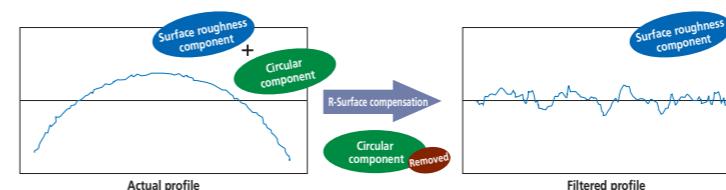
Surface roughness measurement requires a run-up distance before starting the measurement (or retrieving data). When the SJ-410 Series measures, its run-up distance is normally set to 0.5 mm. However, this distance can be shortened to 0.15 mm using the narrow-part measurement function. This function extends the measurement of narrow locations to features such as piston-ring grooves and O-ring grooves.

**Typical applications**



**Easily measures R-surface roughness (skidless measurement)**

Usually, a spherical or cylindrical surface (R-surface) cannot be evaluated, but, by removing the radius with a filter, R-surface data is processed as if taken from a flat surface. Other curved surfaces can be processed besides cylindrical, such as parabolical and ellipsoidal.



User benefit **3**

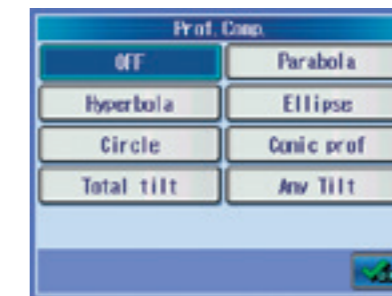
Doing double duty for space saving  
Surface Roughness / Fine Contour

Supporting not only surface roughness measurement but also contour (fine contour) measurement



Easy to use and highly functional

This portable surface roughness tester is equipped with analysis functionality rivaling that of benchtop surface roughness testers.



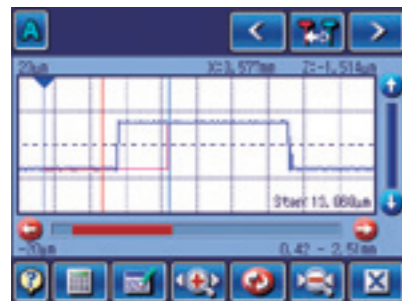
Data compensation



Simple contour analysis function

Simple contour analysis function

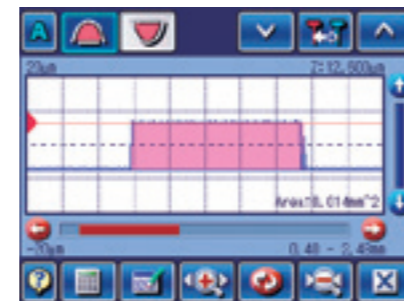
Point group data collected for surface roughness evaluation is used to perform simplified contour analysis (step, step height, area and coordinate difference). It assesses minute forms that cannot be assessed by a regular contour measuring machine.



Step



Coordinate difference



Area

Equipped with externally controllable interfaces as standard

A variety of interfaces supplied as standard

The external device interfaces that come as standard include USB, RS-232C, SPC output and foot switch I/F.



Data storage

Memory card (optional) is supported

The measurement conditions and data can be stored in a memory card (optional) and recalled as required. This enables batch analysis and printout of data after on-site measurement.

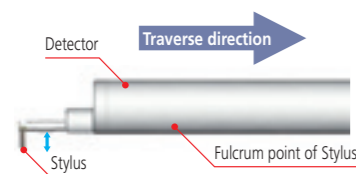


- Measurement condition  
Internal memory: 10 sets  
Memory card: 500 sets
- Measurement result  
Memory card: 10000 sets

Your choice of skidless or skidded measurement

Skidless measurement

Skidless measurement is where surface features are measured relative to the drive unit reference surface. This measures waviness and finely stepped features accurately, in addition to surface roughness, but range is limited to the stylus travel available.



Measuring example of stepped features: Skidless

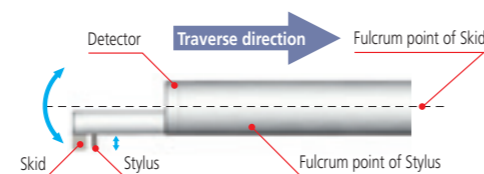


Measured profile



Skidded measurement

In skidded measurements, surface features are measured with reference to a skid following close behind the stylus. This cannot measure waviness and stepped features exactly but the range of movement within which measurement can be made is greater because the skid tracks the workpiece surface contour.



Measuring example of stepped features: Skidded



Measured profile



High-speed thermal printer built in

High-speed printer prints out measurement results on site

A high-quality, high-speed thermal printer prints out measurement results.

It can also print a BAC curve or an ADC curve as well as calculated results and assessed profiles. These results and profiles are printed out in landscape format, just as they appear on the color-graphic LCD.



Equipped with convenient carrying case as standard

The unit is easily transported in a dedicated carrying case which includes holders for the accessories as well as the tester itself. (Standard accessory)

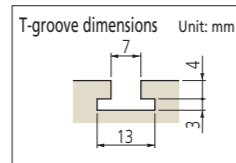


## Other Optional Accessories

### XY leveling tables

The tester includes X- and Y-axes micrometer heads. This makes axis alignment much easier because the tilt adjustment center is the same as the rotation center of the table.

(Code No. 178-185/178-183)



Code No.	178-185 (mm) 178-186 (inch) with digital heads	178-183 (mm) 178-184 (inch) with analog heads	178-198 (mm) 178-197 (inch/mm) with digital heads
Table dimensions	130x100 mm		
Maximum load	15 kg		
Inclination adjustment angle	±1.5°		—
Swiveling angle	±3°		—
X/Y-axis travel range	±12.5 mm	±12.5 mm	±12.5 mm
Resolution	0.001 mm	0.01 mm	0.001 mm
Dimensions (WxDxH)	262x233x83 mm	220x189x83 mm	262x233x55 mm
Mass	6.3 kg	6 kg	5 kg

### Cylinder attachment

This block can be positioned on top of cylindrical objects to perform measurements.

**12AAB358**

Diameter: ø15 to 60 mm

Configuration

- Cylindrical measurement block
- Auxiliary block
- Clamp



### Precision vise

Fits on the table.



Code No.	178-019
Clamping method	Sliding jaws
Jaw opening	36 mm
Jaw width	44 mm
Jaw depth	16 mm
Height	38 mm

### Roughness specimen W



Display: Ra = Approx. 3 μm,  
Approx. 0.4 μm

**178-604**

Note: Ra = Approx. 0.4 μm can only be used for stylus tip checking.

### Reference step specimen

Used to calibrate detector sensitivity.

**178-611**

Step nominal values: 2 μm/10 μm



### Optional accessories, consumables, and others for SJ-410

- Printer paper (5 rolls) **270732**
- Durable printer paper (5 rolls) **12AAA876**
- Touch-screen protector sheet (10 sheets) **12AAN040**
- Memory card\* (2 GB) **12AAW452**
- Connecting cable (for RS-232C) **12AAA882**
- Foot switch **12AAJ088**

\* micro SD card (with a conversion adapter to SD card)

### Vibration Isolator (Air cushion type)

Vibration isolator for simple column stand for SJ-410 Series (178-039).



**178-093-1**

Note: No pump is supplied. An American-valve-compatible hand pump is required.

## Enhanced standard functions

### Sheet buttons

#### Single button measurements

A sturdy sheet-button panel with superior durability in any environment is provided. For repeat measurement of the same work, simply pressing the start switch can complete measurement, analysis and printout.



### Recalculating

Previously measured data can be recalculated for use in other evaluations by changing the current standard, assessed profile and roughness parameters.

Note: Some conditions are limited.

### GO/NG judgement function

An "GO/NG" judgment symbol is displayed when limits are set for the roughness parameter. In case of "NG," the calculated result is highlighted. The calculated result can also be printed out.



Calc. Result		
Ra	↑ 1.103	μm
Rq	OK 1.427	μm
Rz	↓ 7.259	μm

The "OK" symbol means the measurement is within the limits set; "NG" means it is not, in which case an arrow points to either the upper or lower limit in the printout.

### Multilingual support

The display interface supports 16 languages.

(Japanese, English, German, French, Italian, Spanish, Portuguese, Korean, Chinese (simplified/traditional), Czech, Polish, Hungarian, Turkish, Swedish, Dutch)

### Password protection

#### Access to functions can be restricted by a password

A pre-registered password can limit use of measurement conditions and other settings to the tester's administrator.

### Arbitrary sampling length setting

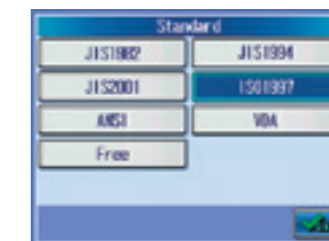
This function allows a sampling length to be arbitrarily set in 0.01 mm increments (SJ-411: 0.1 mm to 25 mm, SJ-412: 0.1 mm to 50 mm).

It also allows the SJ-410 Series to make both narrow and wide range measurements.

### Applicable standards

#### Complies with many industry standards

The SurfTest SJ-410 complies with the following standards: JIS (JIS-B0601-2001, JIS-B0601-1994, JIS B0601-1982), VDA, ISO-1997, and ANSI.



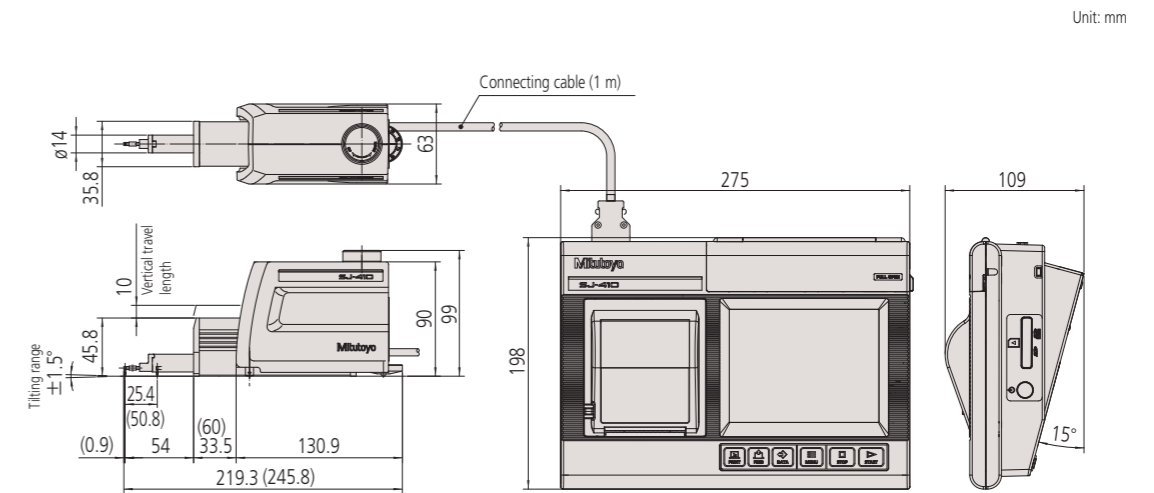


# Specifications

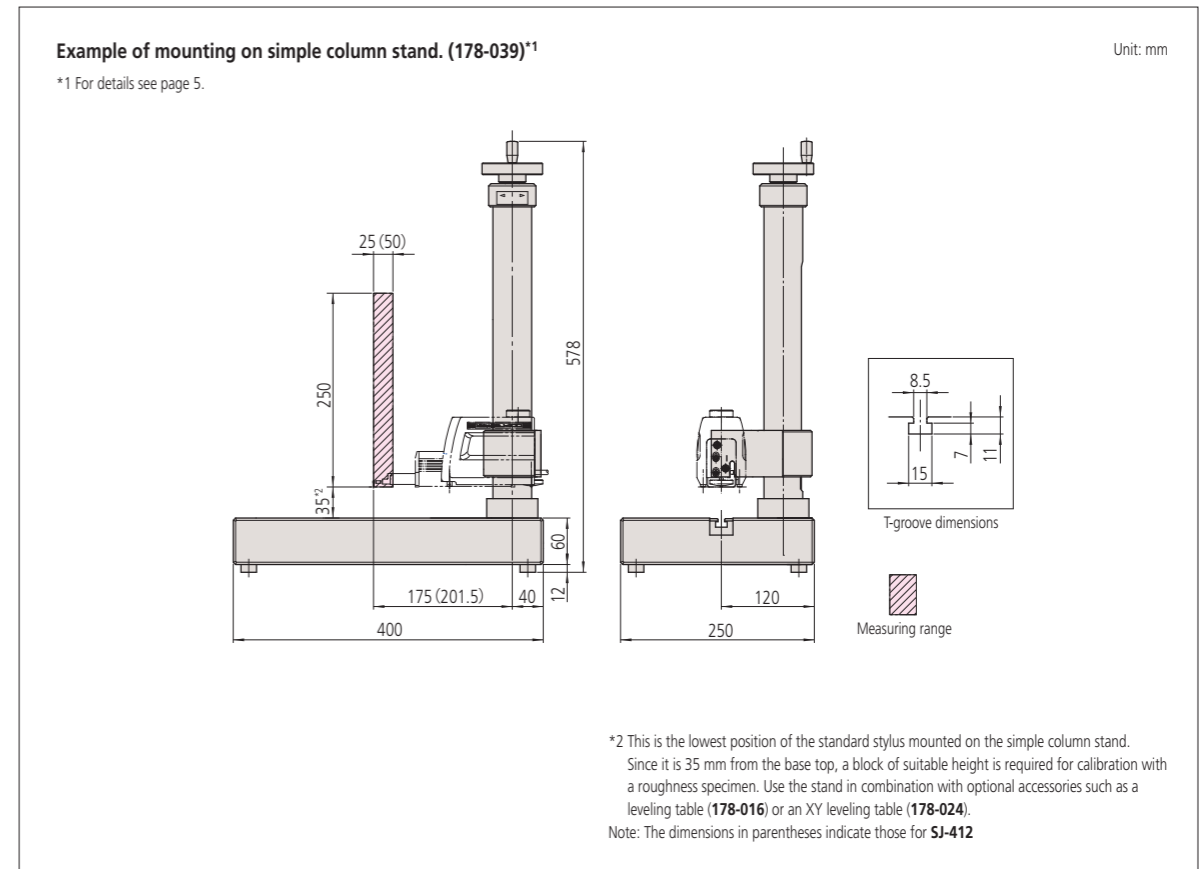
Model No.	SJ-411		SJ-412		
Code No.	mm	178-580-11	178-580-12	178-582-11	178-582-12
	inch/mm	178-581-11	178-581-12	178-583-11	178-583-12
Measuring range	X axis	25 mm		50 mm	
	Z axis (detector)	800 μm, 80 μm, 8 μm Up to 2,400 μm when using an optional stylus.			
Detector	Detection method	Differential inductance			
	Resolution	0.01 μm (800 μm range), 0.001 μm (80 μm range), 0.0001 μm (8 μm range)			
	Stylus tip shape (Angle/Radius)	60°/2 μm	90°/5 μm	60°/2 μm	90°/5 μm
	Measuring force	0.75 mN	4 mN	0.75 mN	4 mN
	Radius of skid curvature	40 mm			
	Measuring methods	Skidless/Skidded (switchable)			
Drive unit (X axis)	Measuring speed	0.05, 0.1, 0.2, 0.5, 1.0 mm/s			
	Drive speed	0.5, 1, 2, 5 mm/s			
Up/down inclination unit	Straightness	0.3 μm/25 mm		0.5 μm/50 mm	
	Vertical travel	10 mm			
	Inclination adjustment angle	±1.5°			
Applicable standards	JIS 1982/JIS 1994/JIS 2001/ISO 1997/ANSI/VDA				
Parameter	Ra, Rq, Rz, Ry, Rp, Rv, Rt, R3z, Rsk, Rku, Rc, RPC, RSm, Rmax <sup>1</sup> , Rz1max <sup>2</sup> , S, HSC, RzJIS <sup>3</sup> , Rppl, RΔa, RΔq, Rlr, Rmr, Rmr(c), Rσc, Rk, Rpk, Rvk, Mr1, Mr2, A1, A2, Vo, λa, λq, Lo, Rpm, tp <sup>4</sup> , Htp <sup>4</sup> , R, Rx, AR, W, AW, Wx, Wte Customizable				
Filtered profile	Primary profile, Roughness profile, DF profile, Waviness profile, Roughness motif profile, Waviness motif profile				
Analysis graph	Material ratio curve, Profile height amplitude distribution curve				
Data compensation functions	Parabola, Hyperbola, Ellipse, Circle, Tilt, No compensation				
Filter	2CR, PC75, Gaussian				
Cutoff value	λc	0.08, 0.25, 0.8, 2.5, 8 mm			
	λs <sup>5</sup>	2.5, 8, 25 μm			
Sampling length	0.08, 0.25, 0.8, 2.5, 8, 25 mm				
Number of intervals	x1, x2, x3, x4, x5, x6, x7, x8, x9, x10, x11, x12, x13, x14, x15, x16, x17, x18, x19, x20				
Arbitrary length	0.1 to 25 mm		0.1 to 50 mm		
Calculation display unit	Customization	Selection of display/evaluation roughness parameter			
	Simplified contour analysis function	Step, Step quantity, Area, Coordinate difference			
	DAT (Digimatic Adjustment Table) function	Helps to level workpiece prior to skidless measurement			
	Real sampling function	Inputs the displacement of the detector while stopping the drive unit			
	statistical processing	Calculates the maximum value, minimum value, average value, standard deviation, pass rate and histogram for each parameter.			
	Judgment <sup>6</sup>	Maximum value rule, 16 % rule, mean value rule, standard deviation (1σ, 2σ, 3σ)			
	Storing measurement condition	Max. 10 (calculation display unit)			
	Print function (Built-in thermal printer)	Measurement condition/Calculation result/Judgment result/Calculation result per segment/Tolerance value/Evaluation curve/Graphic curve/Material ratio curve/Profile height amplitude distribution curve/Environmental setting items/Statistical result (Histogram)			
	Display language	16 languages (Japanese, English, German, French, Italian, Spanish, Portuguese, Korean, Chinese (simplified/traditional), Czech, Polish, Hungarian, Turkish, Swedish, Dutch)			
	Storage function	Built-in memory: Measurement condition (Up to 10) Memory card (optional): 500 measurement conditions, 10000 measured profiles, 500 display images, 10000 text files, 500 statistical data, 1 backup file of device setting data, 10 data of Trace 10			
External I/O functions	USB I/F, Digimatic output, RS-232C I/F, Foot switch I/F				
Power supply	Battery	Built-in battery (rechargeable Ni-MH battery) /AC adapter			
	Charging time/Endurance	Charging time of the built-in battery: about 4 hours (may vary due to ambient temperature) Endurance: about 1000 measurements (differs slightly due to use conditions/environment)			
	Max. power consumption	50 W			
External dimensions (WxDxH)	Calculation display unit	275x198x109 mm			
	Up/down inclination unit	130.9x63x99 mm			
	Drive unit	128x35.8x46.6 mm		154.5x35.8x46.6 mm	
Mass	Calculation display unit	1.7 kg			
	Up/down inclination unit	0.4 kg			
	Drive unit	0.6 kg		0.64 kg	
Standard Accessories	Detector <sup>7</sup> /Standard stylus <sup>8</sup>		AC adapter, Power cable, Flat-blade screwdriver, Phillips screwdriver, Hex wrench, Strap for the touch pen, Operation manual, One-sheet manual, Warranty card		
	178-601	Roughness specimen (Ra3 μm)			
	270732	Receipt paper (Standard type: 5-roll set)			
	12BAL402	Protective sheet for the LCD (x1 sheet)			
	12BAG834	Touch pen			
	12AAN041	Carrying case			

\*1 Calculation is available only when selecting the VDA, ANSI, or JIS 1982 standards.  
 \*2 Calculation is available only when selecting the ISO 1997 standard.  
 \*3 Calculation is available only when selecting the JIS 2001 standard.  
 \*4 Calculation is available only when selecting the ANSI standard.  
 \*5 Not available when selecting the JIS 1982 standard.  
 \*6 Only the mean value rule is available for the ANSI standard. 16 % rule is not available when selecting the VDA standard.  
 \*7 Depending on the Code No. of the SJ-410 Series main unit, 178-396 or 178-397 is provided as standard.  
 \*8 Standard stylus (12AAC731 or 12AAB403) supporting the provided detector is provided as standard.  
 Note 1: Refer to pages 12 to 13 for details of Detector, Stylus and Nosepiece.  
 Note 2: To denote your AC line voltage add the following suffixes (e.g. 178-580-11A). A for 120 V, C for 100 V, D for 230 V, E for 230 V (for UK), DC for 220 V (for China), K for 220 V (for Korea)

# Dimensions



Note: Dimensions in parentheses indicate those of SJ-412 [equipped with a 50 mm drive unit].







**Whatever your challenges are,  
Mitutoyo supports you from start to finish.**

Mitutoyo is not only a manufacturer of top quality measuring products but one that also offers qualified support for the lifetime of the equipment, backed up by comprehensive services that ensure your staff can make the very best use of the investment.

Apart from the basics of calibration and repair, Mitutoyo offers product and metrology training, as well as IT support for the sophisticated software used in modern measuring technology. We can also design, build, test and deliver bespoke measuring solutions and even, if deemed cost-effective, take your critical measurement challenges in-house on a sub-contract basis.



**Find additional product literature  
and our product catalogue**

<https://www.mitutoyo.co.jp/global.html>

**Our products are classified as regulated items under Japanese Foreign Exchange and Foreign Trade Law. Please consult us in advance if you wish to export our products to any other country. If the purchased product is exported, even though it is not a regulated item (Catch-All controls item), the customer service available for that product may be affected. If you have any questions, please consult your local Mitutoyo sales office.**

Note: Product illustrations are without obligation. Product descriptions, in particular any and all technical specifications, are only binding when explicitly agreed upon.  
MITUTOYO and MICAT are either registered trademarks or trademarks of Mitutoyo Corp. in Japan and/or other countries/regions. Other product, company and brand names mentioned herein are for identification purposes only and may be the trademarks of their respective holders.

# Mitutoyo

**Mitutoyo Corporation**

20-1, Sakado 1-Chome,  
Takatsu-ku, Kawasaki-shi,  
Kanagawa 213-8533, Japan  
T +81 (0) 44 813-8230  
F +81 (0) 44 813-8231  
<https://www.mitutoyo.co.jp>