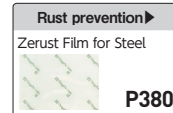


THREAD PIN GAUGE



HOW TO MOVE

Enables easy threaded hole centering and locating

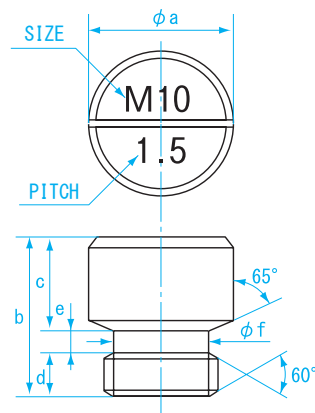


FEATURES

- Easy handling with simple tool
- Enables to indicate the center of threaded hole
- More accurate, economical and easier than other gauges
- Made with stainless steel, prevents the thread pin gauge from rust
- Tapered bottom of the measurement area secures fit with work and allows high accuracy measurement



● DIMENSIONS



Accuracy	Runout between Measuring Head and Screw: Below 0.01mm Accuracy of Measuring Head (size: a): Below ±0.005mm Screw: equivalent for JIS for the second grade
Material	Stainless steel (SUS303)

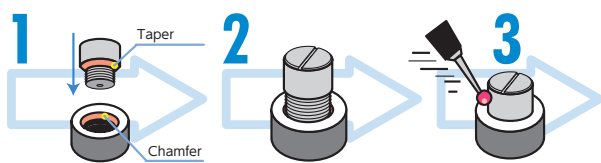
<Size List>

Order No.	Model No.	Size	a (mm)	b (mm)	c (mm)	d (mm)	e (mm)	f (mm)
360204	THP-0204	M 2 × P0.4	4				0.5	1.44
360305	THP-0305	M 3 × P0.5	5	9.5		3		2.30
360407	THP-0407	M 4 × P0.7	6		6		0.7	3.02
360508	THP-0508	M 5 × P0.8	7	11		4.3		3.88
360607	THP-06075	M 6 × P0.75	8	14	8	5	1	4.95
360610	THP-0610	M 6 × P1.0						4.60
360810	THP-0810	M 8 × P1.0	10	17		5.5		6.60
360812	THP-08125	M 8 × P1.25						6.25
361010	THP-1010	M10 × P1.0						8.60
361012	THP-10125	M10 × P1.25	12	18		6.5		8.25
361015	THP-1015	M10 × P1.5						7.90
361210	THP-1210	M12 × P1.0						10.60
361212	THP-12125	M12 × P1.25	14	19		7.5	1.5	10.25
361215	THP-1215	M12 × P1.5			10			9.90
361217	THP-12175	M12 × P1.75						9.55
361415	THP-1415	M14 × P1.5	16					11.90
361420	THP-1420	M14 × P2.0						11.20
361615	THP-1615	M16 × P1.5	18	20		8.5		13.90
361620	THP-1620	M16 × P2.0						13.20
361825	THP-1825	M18 × P2.5	20					14.50
362025	THP-2025	M20 × P2.5	22					16.50

※ Custom made Pin Gauge is also available

How to use Thread Pin Gauge

- Easily locate threaded hole position with thread pin gauge
CMM can easily attain the hole center using thread pin gauge



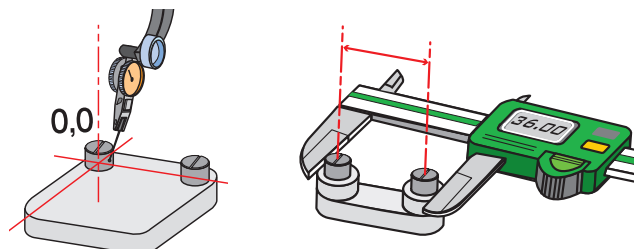
1. Prepare a thread pin gauge the same size as the threaded hole
2. Hand screw the thread pin gauge into the threaded hole
3. Measure!



HOW TO MOVE

Example of use

- Reference position established with two threaded holes
- Pitch measurement between threaded holes



HOW TO MOVE