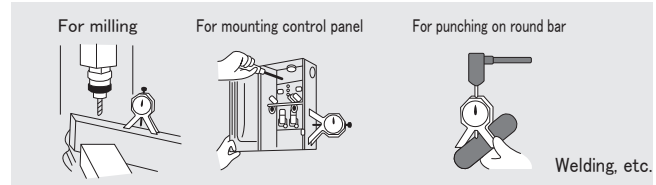
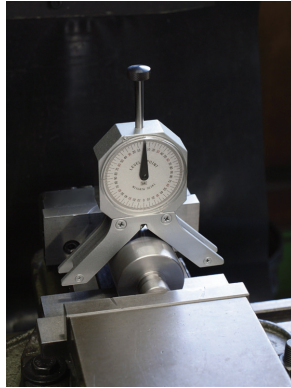
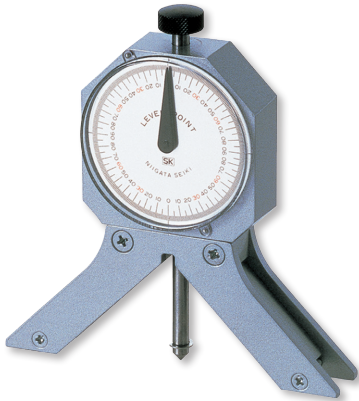


LEVEL POINT GAUGE

Tilt angle measuring and punching can be done at once



USE

- For measuring tilt angle and punching on round bar

MATERIAL

- Body: Aluminum
- Leg: Steel

FEATURES

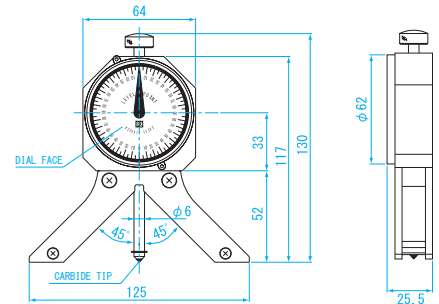
- Single touch for direct angle reading
- Can quickly and accurately measure any angle from horizontal to vertical
- Punch end is carbide tipped
- Magnetic feet

SPECIFICATIONS

- Measuring range: 0~360°
- Minimum reading: 1°
- Within 1°
- Applicable diameter for V base: $\phi 20 \sim 100\text{mm}$

● DIMENSIONS

Units: mm



Order No.	Model No.	Dimensions H × W × T (mm)	Weight
011022	LP-360	130 × 125 × 25	400g