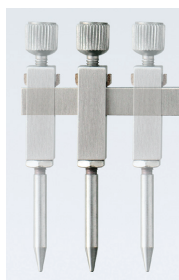


## DIGITAL GAP CALIPER (FOUR POINTS BASE)



Quick tool for easy gap/step measurement.  
Adjustable gauge point can avoid bumps for accurate measurement.  
Bluetooth BOX (separately sold) can be attached.

<b>Wireless data output▶</b> Bluetooth BOX for Calipers  <b>P165</b>	<b>Rust prevention▶</b> Zerust Film for Steel  <b>P380</b>
---	---



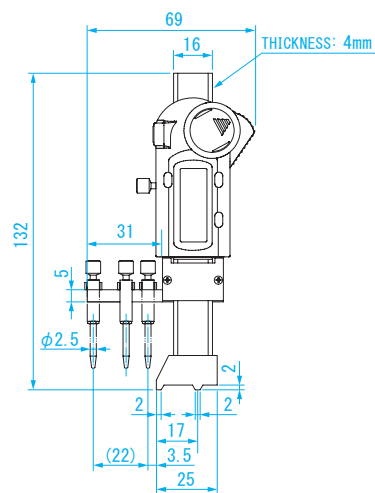
The gauge point is adjustable



Four points base



### ● DIMENSIONS Units: mm



#### USE

- Step depth measurement

#### MATERIAL

- Stainless steel

#### FEATURES

- Bluetooth BOX (separately sold) can be attached. Measured value can be transmitted to PC wireless.
- Bottom base in cavity structure
- Display hold function ● Auto power off function (after approx. 20 min.)

#### POWER

- One CR2032 (lithium) battery included for testing

※ Quantization Error (± 1 digit) not included

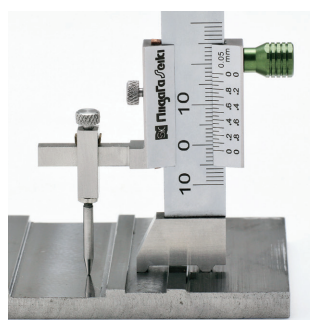
Order No.	Model No.	Measuring Range (mm)	Resolution (mm)	Accuracy* (mm)	Probe Operation Range (mm)	Base Shape	Probe	Arm	Weight
152301	GDG-4F-S1	-13-+16	0.01	± 0.03	22	Four points (Flat)	Stainless steel Tip SR0.5mm	Straight	150g

## GAP CALIPER (FOUR POINTS BASE)

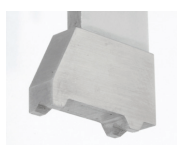


Quick tool for easy gap / step measurement.  
Adjustable gauge point can avoid bumps for accurate measurement.

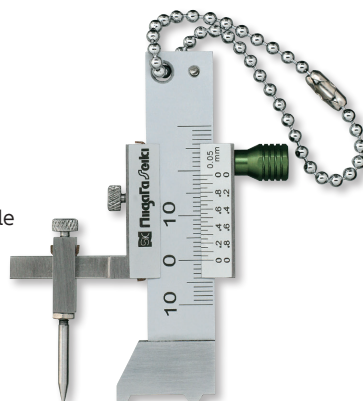
<b>Rust prevention▶</b> Zerust Film for Steel  <b>P380</b>
---



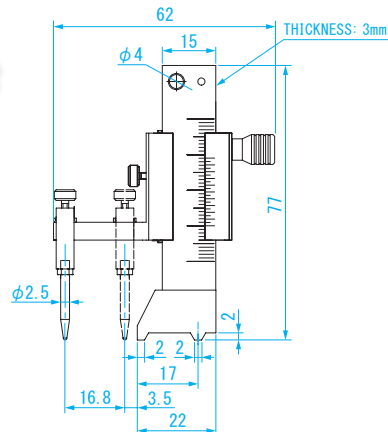
The gauge point is adjustable



Four points base



### ● DIMENSIONS Units: mm



#### USE

- Step depth measurement

#### MATERIAL

- Stainless steel

#### FEATURES

- Bottom base in cavity structure
- Ball chain attached
- Grip attached

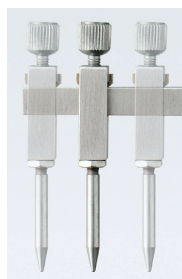
Order No.	Model No.	Measuring Range (mm)	Resolution (mm)	Accuracy (mm)	Probe Operation Range (mm)	Base Shape	Probe	Arm	Weight
152331	GVG-4F-S1-G	± 10mm	0.05	± 0.05	16.8	Four points (Flat)	Stainless steel Tip SR0.5mm	Straight	70g

## DIGITAL GAP CALIPER (THREE BALL POINTS BASE)

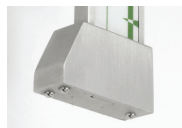


Well-requested 3 ball points (spherical points) base added to the collection.  
Bluetooth BOX (separately sold) can be attached.

<b>Wireless data output▶</b> Bluetooth BOX for Calipers  <b>P165</b>	<b>Rust prevention▶</b> Zerust Film for Steel  <b>P380</b>
---	---



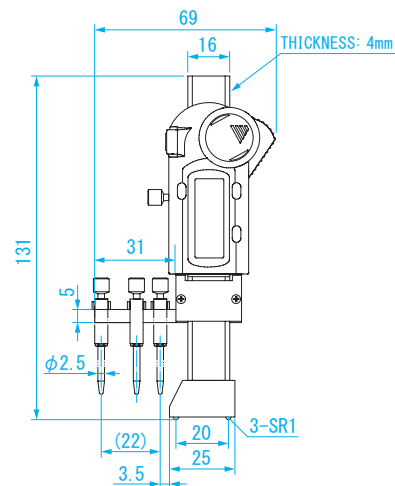
The gauge point is adjustable



Three ball points (spherical points) base



### ● DIMENSIONS Units: mm



#### USE

- Step depth measurement

#### MATERIAL

- Stainless steel

#### FEATURES

- Bluetooth BOX (separately sold) can be attached. Measured value can be transmitted to PC wireless.
- Bottom base in cavity structure
- Display hold function
- Auto power off function (after approx. 20 min.)

#### POWER

- One CR2032 (lithium) battery included for testing

※ Quantization Error (± 1 digit) not included

Order No.	Model No.	Measuring Range (mm)	Resolution (mm)	Accuracy* (mm)	Probe Operation Range (mm)	Base Shape	Probe	Arm	Weight
152302	GDG-3R-S1	-13-+16	0.01	± 0.03	22	Three ball points (spherical points)	Stainless steel Tip SR0.5mm	Straight	155g



CALIPER

SCRIBING CALIPER

DEPTH GAUGE

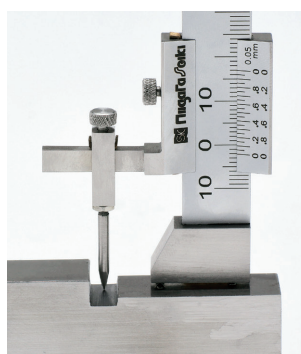
HEIGHT GAUGE

## GAP CALIPER (THREE BALL POINTS BASE)

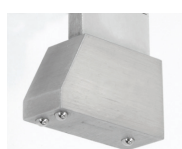


Quick tool for easy gap/step measurement.  
Well-requested 3 ball points (spherical points) base added to the collection.

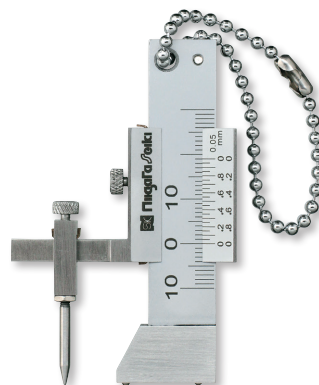
<b>Rust prevention▶</b> Zerust Film for Steel  <b>P380</b>
---



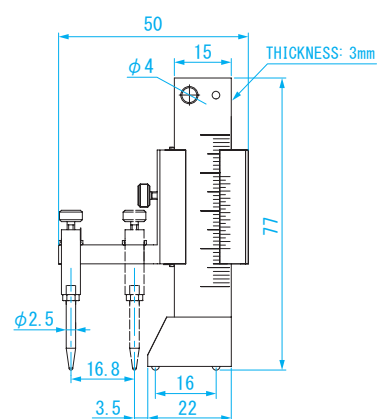
The gauge point is adjustable



Three ball points (spherical points) base



### ● DIMENSIONS Units: mm



#### USE

- Step depth measurement

#### MATERIAL

- Stainless steel

#### FEATURES

- Bottom base in cavity structure
- Ball chain attached

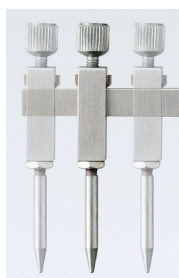
Order No.	Model No.	Measuring Range (mm)	Resolution (mm)	Accuracy (mm)	Probe Operation Range (mm)	Base Shape	Probe	Arm	Weight
152332	GVG-3R-S1	± 10mm	0.05	± 0.05	16.8	Three ball points (spherical points)	Stainless steel Tip SR0.5mm	Straight	75g

# DIGITAL GAP CALIPER (TWO BALL POINTS BASE) **NEW!**

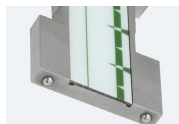


<b>Wireless data output▶</b> Bluetooth BOX for Calipers  <b>P165</b>	<b>Rust prevention▶</b> Zerust Film for Steel  <b>P380</b>
--	--

Quick tool for easy gap/step measurement.  
 Thin base with two ball points (spherical points) type.  
 Bluetooth BOX (separately sold) can be attached.



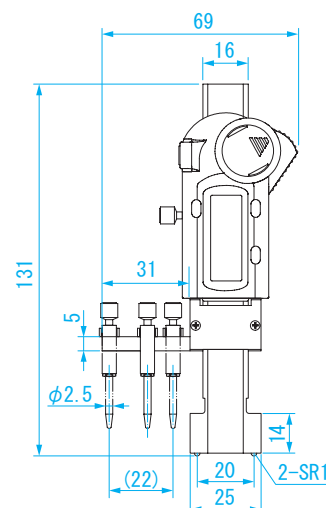
The gauge point is adjustable



Two ball points (spherical points) base



● DIMENSIONS Units: mm



※ Quantization Error (± 1digit) not included

USE

- Step depth measurement

MATERIAL

- Stainless steel

FEATURES

- Bluetooth BOX (separately sold) can be attached. Measured value can be transmitted to PC wireless.
- Bottom base in cavity structure
- Display hold function
- Auto power off function (after approx. 20 min.)


POWER

- One CR2032 (lithium) battery included for testing

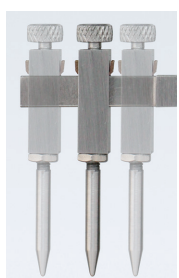
Order No.	Model No.	Measuring Range (mm)	Resolution (mm)	Accuracy (mm)	Probe Operation Range (mm)	Base Shape	Probe	Arm	Weight
<b>NEW!</b> 152306	GDG-2R-S1	-13-+16	0.01	± 0.03	22	Two ball points (spherical points)	Stainless steel Tip SR0.5mm	Straight	145g

# GAP CALIPER (TWO BALL POINTS BASE) **NEW!**



<b>Rust prevention▶</b> Zerust Film for Steel  <b>P380</b>
--

Quick tool for easy gap / step measurement.  
 Thin base with two ball points (spherical points) type.



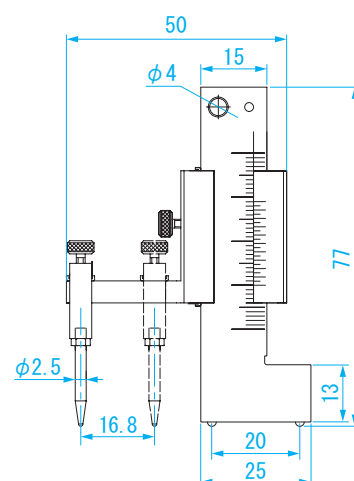
The gauge point is adjustable



Two ball points (spherical points) base



● DIMENSIONS Units: mm



USE

- Step depth measurement

MATERIAL

- Stainless steel

FEATURES


- Bottom base in cavity structure
- Ball chain attached

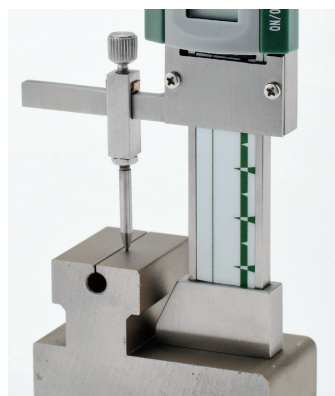
Order No.	Model No.	Measuring Range (mm)	Resolution (mm)	Accuracy (mm)	Probe Operation Range (mm)	Base Shape	Probe	Arm	Weight
<b>NEW!</b> 152339	GVG-2R-S1	± 10mm	0.05	± 0.05	16.8	Two ball points (spherical points)	Stainless steel Tip SR0.5mm	Straight	65g

## DEGITAL GAP CALIPER (FLAT BASE)



Stable measurement by flat base.  
Bluetooth BOX (separately sold) can be attached.

<b>Wireless data output▶</b> Bluetooth BOX for Calipers  <b>P165</b>	<b>Rust prevention▶</b> Zerust Film for Steel  <b>P380</b>
---	---



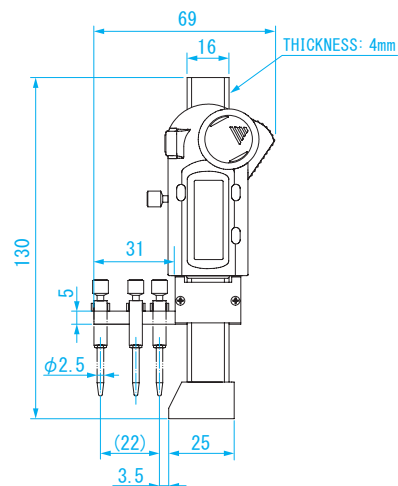
The gauge point is adjustable



Flat base



### ● DIMENSIONS Units: mm



※ Quantization Error (± 1 digit) not included

#### USE

- Step depth measurement

#### MATERIAL

- Stainless steel

#### FEATURES

- Bluetooth BOX (separately sold) can be attached. Measured value can be transmitted to PC wireless.
- Display hold function
- Auto power off function (after approx. 20 min.)

#### POWER

- One CR2032 (lithium) battery included for testing

Order No.	Model No.	Measuring Range (mm)	Resolution (mm)	Accuracy* (mm)	Probe Operation Range (mm)	Base Shape	Probe	Arm	Weight
152303	GDG-F-S1	-13-+16	0.01	± 0.03	22	Flat	Stainless steel Tip SR0.5mm	Straight	150g



CALIPER

SCRIBING CALIPER

DEPTH GAUGE

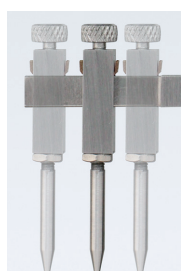
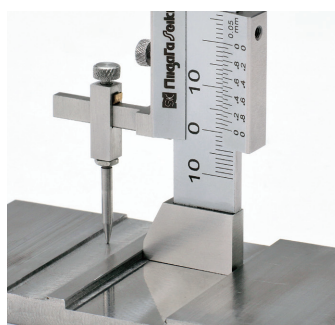
HEIGHT GAUGE

## GAP CALIPER (FLAT BASE)

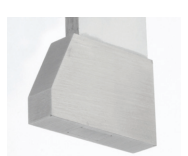


Stable measurement by flat base

<b>Rust prevention▶</b> Zerust Film for Steel  <b>P380</b>
---



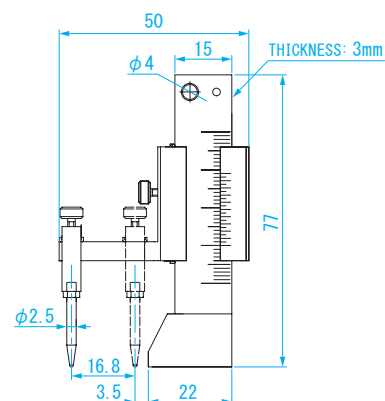
The gauge point is adjustable



Flat base



### ● DIMENSIONS Units: mm



#### USE

- Step depth measurement

#### MATERIAL

- Stainless steel

#### FEATURES

- Ball chain attached

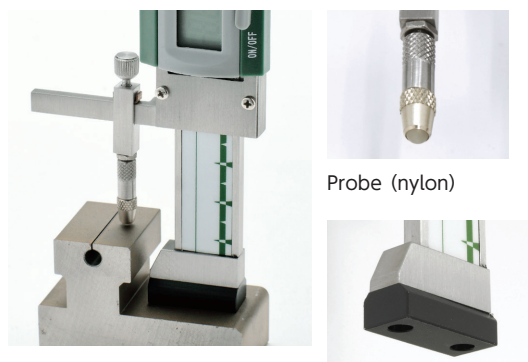
Order No.	Model No.	Measuring Range (mm)	Resolution (mm)	Accuracy (mm)	Probe Operation Range (mm)	Base Shape	Probe	Arm	Weight
152333	GVG-F-S1	± 10mm	0.05	± 0.05	16.8	Flat	Stainless steel Tip SR0.5mm	Straight	70g

# DIGITAL GAP CALIPER (RESIN BASE / NYLON PROBE TYPE)

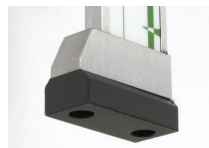


Suitable for sensitive object by resin base and nylon probe.  
Bluetooth BOX (separately sold) can be attached.

<b>Wireless data output▶</b> Bluetooth BOX for Calipers <b>P165</b>	<b>Rust prevention▶</b> Zerust Film for Steel <b>P380</b>
---	---



Probe (nylon)

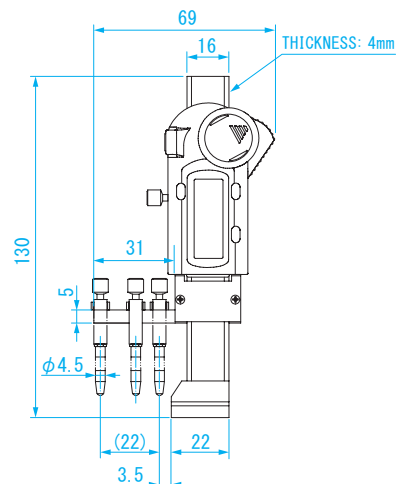


Flat base (resin)

※ Resin base and nylon probe that are suitable for sensitive objects



● DIMENSIONS Units: mm



USE

- Step depth measurement

MATERIAL

- Main Body: Stainless steel
- Base: Resin ● Tip of probe: Nylon

FEATURES

- Suitable for measuring sensitive object by resin base and nylon probe
- Bluetooth BOX (separately sold) can be attached. Measured value can be transmitted to PC wireless.
- Display hold function ● Auto power off function (after approx. 20 min.)

POWER

- One CR2032 (lithium) battery included for testing

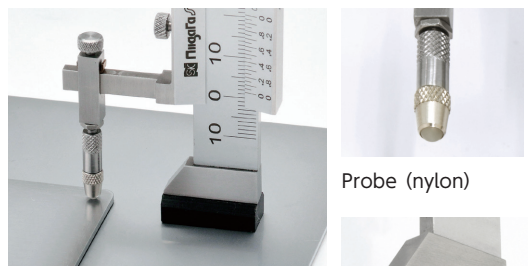
※ Quantization Error (± 1digit) not included

Order No.	Model No.	Measuring Range (mm)	Resolution (mm)	Accuracy (mm)	Probe Operation Range (mm)	Base Shape	Probe	Arm	Weight
152304	GDG-P-S2	-13-+16	0.01	± 0.03	22	Flat (resin)	Nylon Tip 1/8 inch ball	Straight	145g

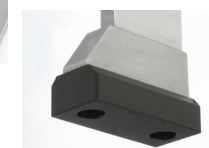
# GAP CALIPER (RESIN BASE / NYLON PROBE TYPE)



Suitable for measuring sensitive object by resin base and nylon probe

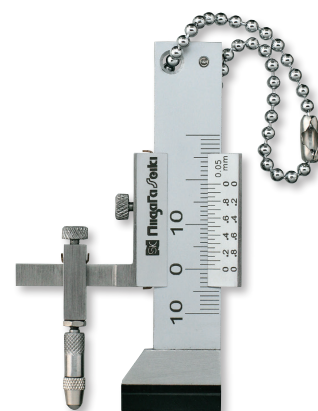


Probe (nylon)

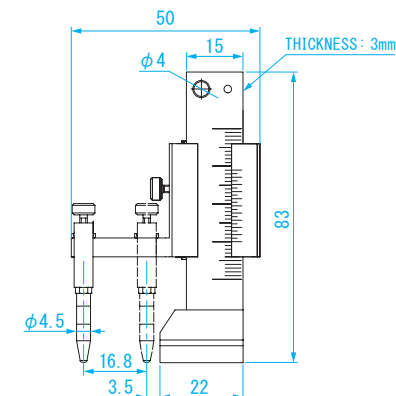


Flat Base (resin)

※ Resin base and nylon probe that are suitable for sensitive objects



● DIMENSIONS Units: mm



USE

- Step depth measurement

MATERIAL

- Body: Stainless steel

FEATURES

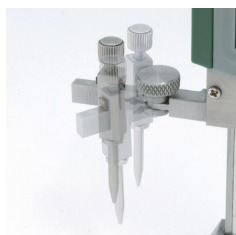
- Suitable for measuring sensitive object by resin base and nylon probe
- Ball chain attached

Order No.	Model No.	Measuring Range (mm)	Resolution (mm)	Accuracy (mm)	Probe Operation Range (mm)	Base Shape	Probe	Arm	Weight
152334	GVG-P-S2	± 10mm	0.05	± 0.05	16.8	Flat (resin)	Nylon Tip 1/8inch ball	Straight	70g

# DIGITAL GAP CALIPER (JOINT ARM TYPE)



Sets probe at aimed point freely by joint arm.  
Bluetooth BOX (separately sold) can be attached.



Joint arm type enables to set probe at any aimed point

**USE**

- Step depth measurement

**MATERIAL**

- Stainless steel

**FEATURES**

- Joint arm type enables to move the position of probe in wide area
- Bluetooth BOX (separately sold) can be attached. Measured value can be transmitted to PC wireless.
- Bottom base in cavity structure
- Display hold function
- Auto power off function (after approx. 20 min.)

**POWER**

- One CR2032 (lithium) battery included for testing

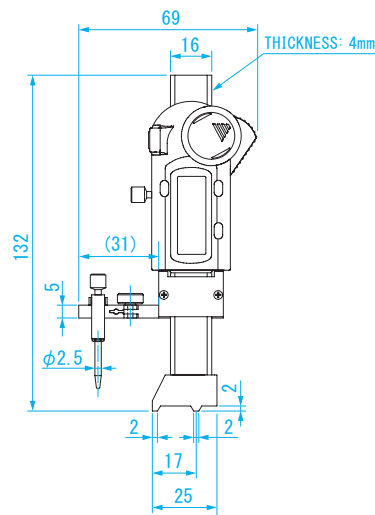


Four points base



<b>Wireless data output▶</b> Bluetooth BOX for Calipers  <b>P165</b>	<b>Rust prevention▶</b> Zerust Film for Steel  <b>P380</b>
---	---

● **DIMENSIONS** Units: mm



※ Quantization Error (± 1digit) not included

Order No.	Model No.	Measuring Range (mm)	Resolution (mm)	Accuracy* (mm)	Base Shape	Probe	Arm	Weight
152305	GDG-4F-J1	-13-+16	0.01	± 0.03	Four point (flat)	Stainless steel Tip SR0.5mm	Joint	150g

## PARTS FOR GAP CALIPER

■ Applicable products table

Parts				Order No.	152335	152336	152337	152338
				Products	PROBE FOR GAP CALIPER	PROBE HOLDER FOR GAP CALIPER	PROBE HOLDER FOR DIGITAL GAP CALIPER	GRIP FOR GAP CALIPER
Applicable product				Model No.	GP-1	GVP-1H	GDP-1H	GG-12-8
				Order No.	Products	Model No.	Page referred	
152301	DIGITAL GAP CALIPER	GDG-4F-S1	186	○	-	○	-	
152302	DIGITAL GAP CALIPER	GDG-3R-S1	187	○	-	○	-	
152306	DIGITAL GAP CALIPER	GDG-2R-S1	188	○	-	○	-	
152303	DIGITAL GAP CALIPER	GDG-F-S1	189	○	-	○	-	
152304	DIGITAL GAP CALIPER	GDG-P-S2	190	○※1	-	○	-	
152305	DIGITAL GAP CALIPER	GDG-4F-J1	191	○	-	○	-	
152331	GAP CALIPER	GVG-4F-S1-G	186	○	○	-	○	
152332	GAP CALIPER	GVG-3R-S1	187	○	○	-	○	
152339	GAP CALIPER	GVG-2R-S1	188	○	○	-	○	
152333	GAP CALIPER	GVG-F-S1	189	○	○	-	○	
152334	GAP CALIPER	GVG-P-S2	190	○※1	○	-	○	

※ 1: GP-1 is also attachable to GDG-P-S2 and GVG-P-S2 though nylon probe