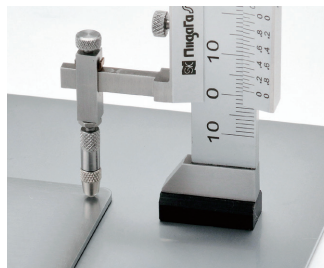


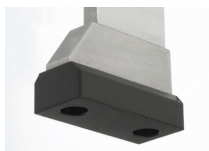
GAP CALIPER (RESIN BASE / NYLON PROBE TYPE)



Suitable for measuring sensitive object by resin base and nylon probe

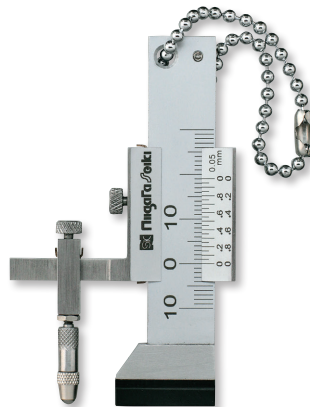


Probe (nylon)



Flat Base (resin)

※ Resin base and nylon probe that are suitable for sensitive objects



Rust prevention ▶

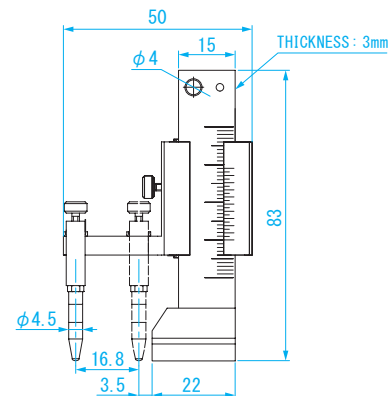
Zerust Film for Steel



P380

● DIMENSIONS

Units: mm



USE

- Step depth measurement

MATERIAL

- Body: Stainless steel

FEATURES

- Suitable for measuring sensitive object by resin base and nylon probe
- Ball chain attached

Order No.	Model No.	Measuring Range (mm)	Resolution (mm)	Accuracy (mm)	Probe Operation Range (mm)	Base Shape	Probe	Arm	Weight
152334	GVG-P-S2	± 10mm	0.05	± 0.05	16.8	Flat (resin)	Nylon Tip 1/8inch ball	Straight	70g