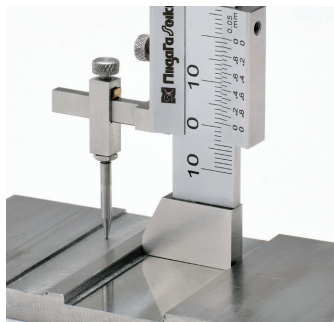


GAP CALIPER (FLAT BASE)



Stable measurement by flat base



The gauge point is adjustable



Flat base



Rust prevention ▶
 Zerust Film for Steel

P380

USE

- Step depth measurement

MATERIAL

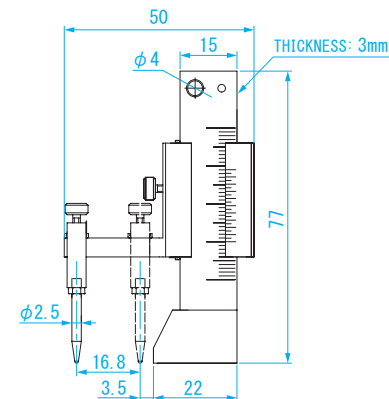
- Stainless steel

FEATURES

- Ball chain attached

● DIMENSIONS

Units: mm



Order No.	Model No.	Measuring Range (mm)	Resolution (mm)	Accuracy (mm)	Probe Operation Range (mm)	Base Shape	Probe	Arm	Weight
152333	GVG-F-S1	± 10mm	0.05	± 0.05	16.8	Flat	Stainless steel Tip SR0.5mm	Straight	70g