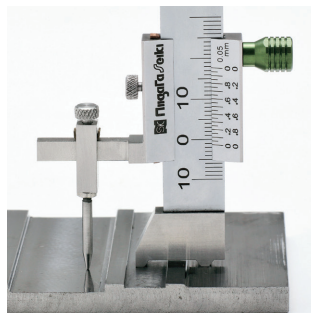


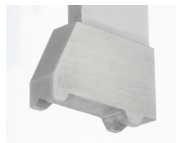
GAP CALIPER (FOUR POINTS BASE)



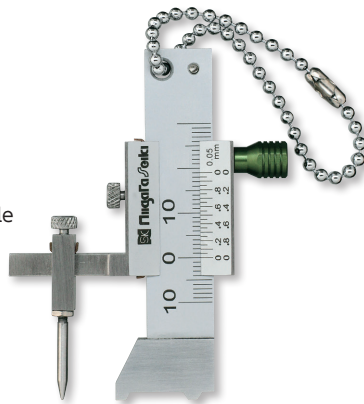
Quick tool for easy gap / step measurement.
Adjustable gauge point can avoid bumps for accurate measurement.



The gauge point is adjustable

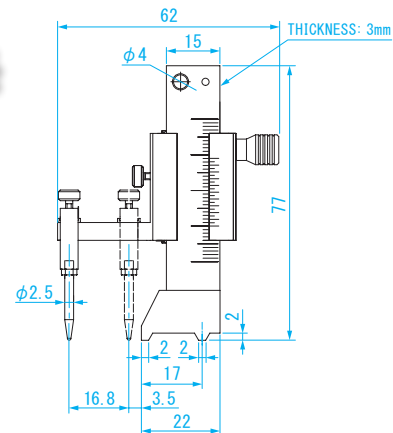


Four points base



● DIMENSIONS

Units: mm



USE

- Step depth measurement

MATERIAL

- Stainless steel

FEATURES

- Bottom base in cavity structure
- Ball chain attached
- Grip attached

Order No.	Model No.	Measuring Range (mm)	Resolution (mm)	Accuracy (mm)	Probe Operation Range (mm)	Base Shape	Probe	Arm	Weight
152331	GVG-4F-S1-G	± 10mm	0.05	± 0.05	16.8	Four points (Flat)	Stainless steel Tip SR0.5mm	Straight	70g