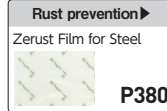


# GAP CALIPER (TWO BALL POINTS BASE)

**NEW!**



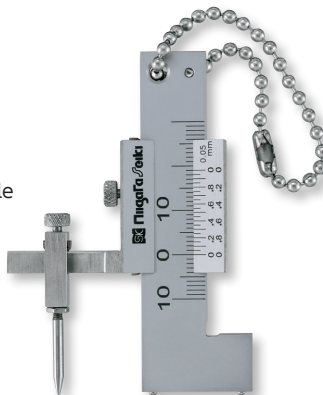
Quick tool for easy gap / step measurement.  
Thin base with two ball points (spherical points) type.



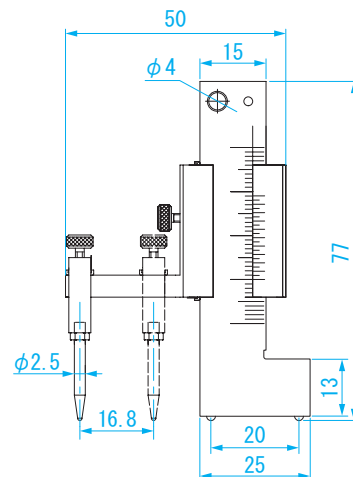
The gauge point is adjustable



Two ball points (spherical points) base



● DIMENSIONS Units: mm



## USE

- Step depth measurement

## MATERIAL

- Stainless steel

## FEATURES

- Bottom base in cavity structure
- Ball chain attached

Order No.	Model No.	Measuring Range (mm)	Resolution (mm)	Accuracy (mm)	Probe Operation Range (mm)	Base Shape	Probe	Arm	Weight
<b>NEW!</b> 152339	GVG-2R-S1	± 10mm	0.05	± 0.05	16.8	Two ball points (spherical points)	Stainless steel Tip SR0.5mm	Straight	65g