

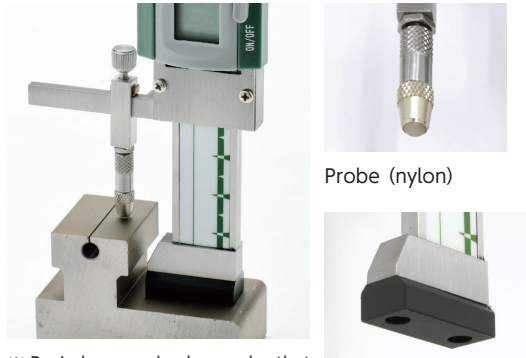


# DIGITAL GAP CALIPER (RESIN BASE / NYLON PROBE TYPE)



Suitable for sensitive object by resin base and nylon probe.  
Bluetooth BOX (separately sold) can be attached.

<b>Wireless data output▶</b> Bluetooth BOX for Calipers 	<b>Rust prevention▶</b> Zerust Film for Steel 
<b>P165</b>	<b>P380</b>



Probe (nylon)

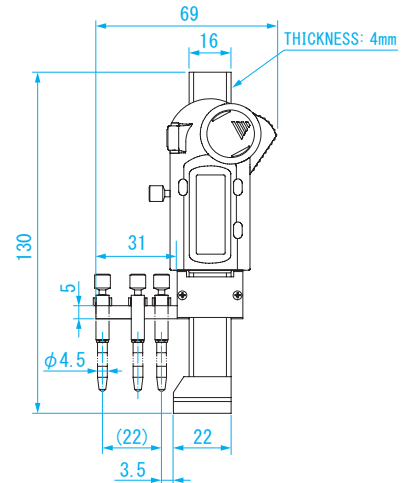
Flat base (resin)

※ Resin base and nylon probe that are suitable for sensitive objects



## DIMENSIONS

Units: mm



## USE

- Step depth measurement

## MATERIAL

- Main Body: Stainless steel
- Base: Resin
- Tip of probe: Nylon

## FEATURES

- Suitable for measuring sensitive object by resin base and nylon probe
- Bluetooth BOX (separately sold) can be attached.  
Measured value can be transmitted to PC wireless.
- Display hold function
- Auto power off function (after approx. 20 min.)

## POWER

- One CR2032 (lithium) battery included for testing

※ Quantization Error (± 1 digit) not included

Order No.	Model No.	Measuring Range (mm)	Resolution (mm)	Accuracy* (mm)	Probe Operation Range (mm)	Base Shape	Probe	Arm	Weight
152304	GDG-P-S2	-13-+16	0.01	± 0.03	22	Flat (resin)	Nylon Tip 1/8 inch ball	Straight	145g