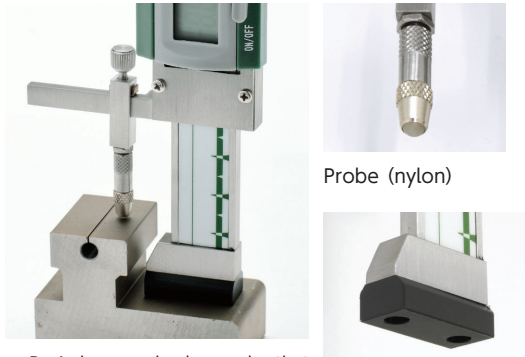


DIGITAL GAP CALIPER (RESIN BASE / NYLON PROBE TYPE)



Suitable for sensitive object by resin base and nylon probe.
Bluetooth BOX (separately sold) can be attached.

Wireless data output▶ Bluetooth BOX for Calipers 	Rust prevention▶ Zerust Film for Steel 
P165	P380



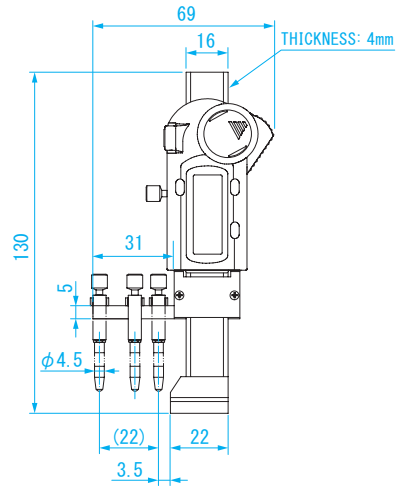
Probe (nylon)

Flat base (resin)

※ Resin base and nylon probe that are suitable for sensitive objects



● DIMENSIONS Units: mm



USE

- Step depth measurement

MATERIAL

- Main Body: Stainless steel
- Base: Resin ● Tip of probe: Nylon

FEATURES

- Suitable for measuring sensitive object by resin base and nylon probe
- Bluetooth BOX (separately sold) can be attached.
Measured value can be transmitted to PC wireless.
- Display hold function ● Auto power off function (after approx. 20 min.)

POWER

- One CR2032 (lithium) battery included for testing

※ Quantization Error (± 1 digit) not included

Order No.	Model No.	Measuring Range (mm)	Resolution (mm)	Accuracy* (mm)	Probe Operation Range (mm)	Base Shape	Probe	Arm	Weight
152304	GDG-P-S2	-13-+16	0.01	± 0.03	22	Flat (resin)	Nylon Tip 1/8 inch ball	Straight	145g