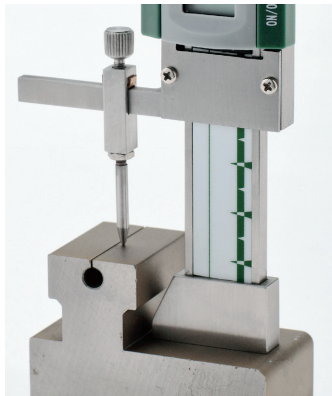


DEGITAL GAP CALIPER (FLAT BASE)



Stable measurement by flat base.
Bluetooth BOX (separately sold) can be attached.



The gauge point is adjustable



Flat base



USE

- Step depth measurement

MATERIAL

- Stainless steel

FEATURES

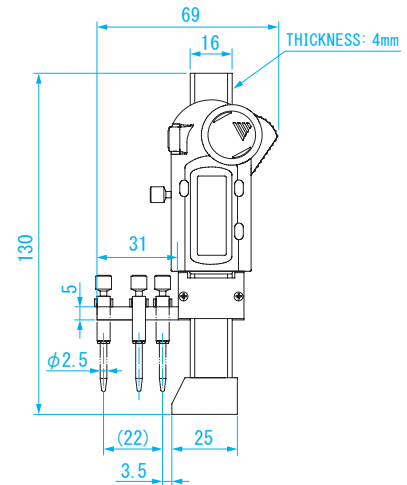
- Bluetooth BOX (separately sold) can be attached. Measured value can be transmitted to PC wireless.
- Display hold function
- Auto power off function (after approx. 20 min.)

POWER

- One CR2032 (lithium) battery included for testing

● DIMENSIONS

Units: mm



※ Quantization Error (± 1digit) not included

Order No.	Model No.	Measuring Range (mm)	Resolution (mm)	Accuracy* (mm)	Probe Operation Range (mm)	Base Shape	Probe	Arm	Weight
152303	GDG-F-51	-13-+16	0.01	± 0.03	22	Flat	Stainless steel Tip SR0.5mm	Straight	150g