

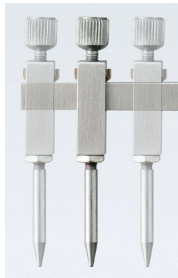


DIGITAL GAP CALIPER (FOUR POINTS BASE)



Quick tool for easy gap/step measurement.
Adjustable gauge point can avoid bumps for accurate measurement.
Bluetooth BOX (separately sold) can be attached.

Wireless data output▶ Bluetooth BOX for Calipers  P165	Rust prevention▶ Zerust Film for Steel  P380
---	---



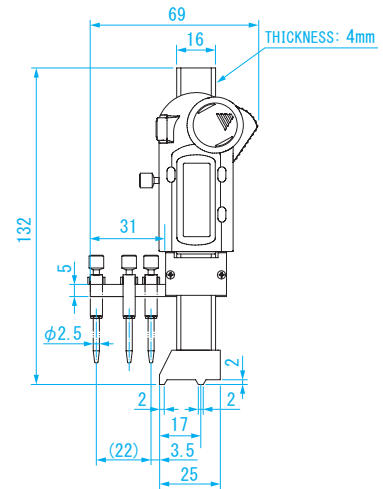
The gauge point is adjustable



Four points base



● DIMENSIONS Units: mm



USE

- Step depth measurement

MATERIAL

- Stainless steel

FEATURES

- Bluetooth BOX (separately sold) can be attached.
Measured value can be transmitted to PC wireless.
- Bottom base in cavity structure
- Display hold function ● Auto power off function (after approx. 20 min.)

POWER

- One CR2032 (lithium) battery included for testing

※ Quantization Error (± 1 digit) not included

Order No.	Model No.	Measuring Range (mm)	Resolution (mm)	Accuracy* (mm)	Probe Operation Range (mm)	Base Shape	Probe	Arm	Weight
152301	GDG-4F-S1	-13-+16	0.01	± 0.03	22	Four points (Flat)	Stainless steel Tip SR0.5mm	Straight	150g