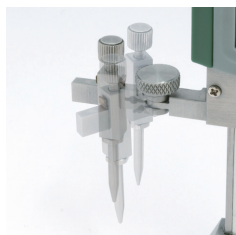
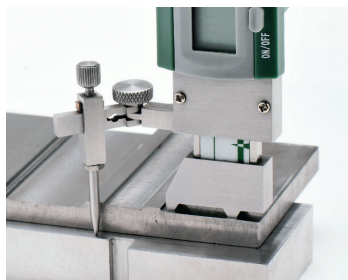


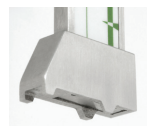
DIGITAL GAP CALIPER (JOINT ARM TYPE)



Sets probe at aimed point freely by joint arm.
Bluetooth BOX (separately sold) can be attached.



Joint arm type enables to set probe at any aimed point



Four points base



Wireless data output▶ Bluetooth BOX for Calipers  P165	Rust prevention▶ Zerust Film for Steel  P380
--	--

USE

- Step depth measurement

MATERIAL

- Stainless steel

FEATURES

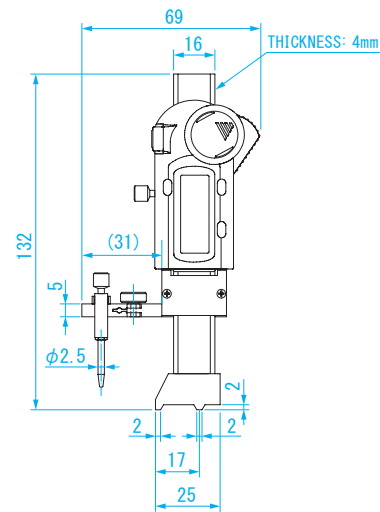
- Joint arm type enables to move the position of probe in wide area
- Bluetooth BOX (separately sold) can be attached. Measured value can be transmitted to PC wireless.
- Bottom base in cavity structure
- Display hold function
- Auto power off function (after approx. 20 min.)

POWER

- One CR2032 (lithium) battery included for testing

● DIMENSIONS

Units: mm



※ Quantization Error (± 1digit) not included

Order No.	Model No.	Measuring Range (mm)	Resolution (mm)	Accuracy [※] (mm)	Base Shape	Probe	Arm	Weight
152305	GDG-4F-J1	-13-+16	0.01	± 0.03	Four point (flat)	Stainless steel Tip SR0.5mm	Joint	150g