

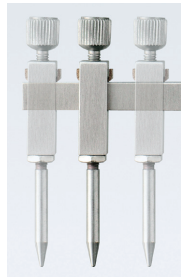


DIGITAL GAP CALIPER (THREE BALL POINTS BASE)

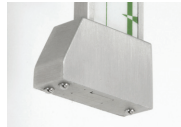


Well-requested 3 ball points (spherical points) base added to the collection.
Bluetooth BOX (separately sold) can be attached.

Wireless data output▶ Bluetooth BOX for Calipers 	Rust prevention▶ Zerust Film for Steel 
P165	P380



The gauge point is adjustable

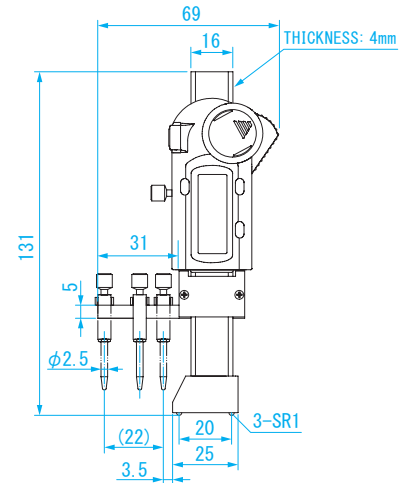


Three ball points (spherical points) base



● DIMENSIONS

Units: mm



USE

- Step depth measurement

MATERIAL

- Stainless steel

FEATURES

- Bluetooth BOX (separately sold) can be attached. Measured value can be transmitted to PC wireless.
- Bottom base in cavity structure
- Display hold function
- Auto power off function (after approx. 20 min.)

POWER

- One CR2032 (lithium) battery included for testing

※ Quantization Error (± 1digit) not included

Order No.	Model No.	Measuring Range (mm)	Resolution (mm)	Accuracy [※] (mm)	Probe Operation Range (mm)	Base Shape	Probe	Arm	Weight
152302	GDG-3R-S1	-13-+16	0.01	± 0.03	22	Three ball points (spherical points)	Stainless steel Tip SR0.5mm	Straight	155g