

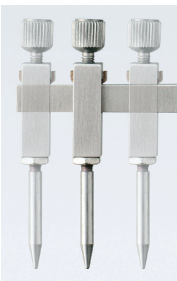


DIGITAL GAP CALIPER (TWO BALL POINTS BASE) **NEW!**

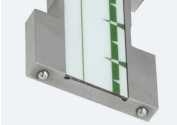


Quick tool for easy gap/step measurement.
Thin base with two ball points (spherical points) type.
Bluetooth BOX (separately sold) can be attached.

Wireless data output ▶ Bluetooth BOX for Calipers  P165	Rust prevention ▶ Zerust Film for Steel  P380
---	---



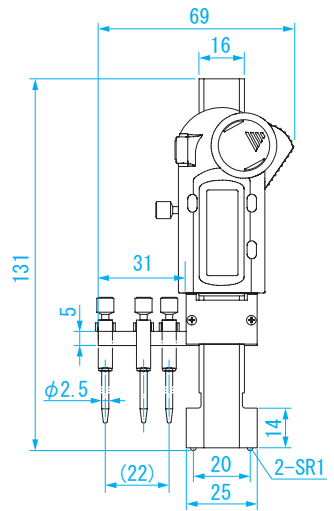
The gauge point is adjustable



Two ball points (spherical points) base



● DIMENSIONS Units: mm



※ Quantization Error (± 1digit) not included

- USE
- Step depth measurement
- MATERIAL
- Stainless steel
- FEATURES
- Bluetooth BOX (separately sold) can be attached. Measured value can be transmitted to PC wireless.
 - Bottom base in cavity structure
 - Display hold function
 - Auto power off function (after approx. 20 min.)
- POWER
- One CR2032 (lithium) battery included for testing

Order No.	Model No.	Measuring Range (mm)	Resolution (mm)	Accuracy* (mm)	Probe Operation Range (mm)	Base Shape	Probe	Arm	Weight
NEW! 152306	GDG-2R-S1	-13-+16	0.01	± 0.03	22	Two ball points (spherical points)	Stainless steel Tip SR0.5mm	Straight	145g