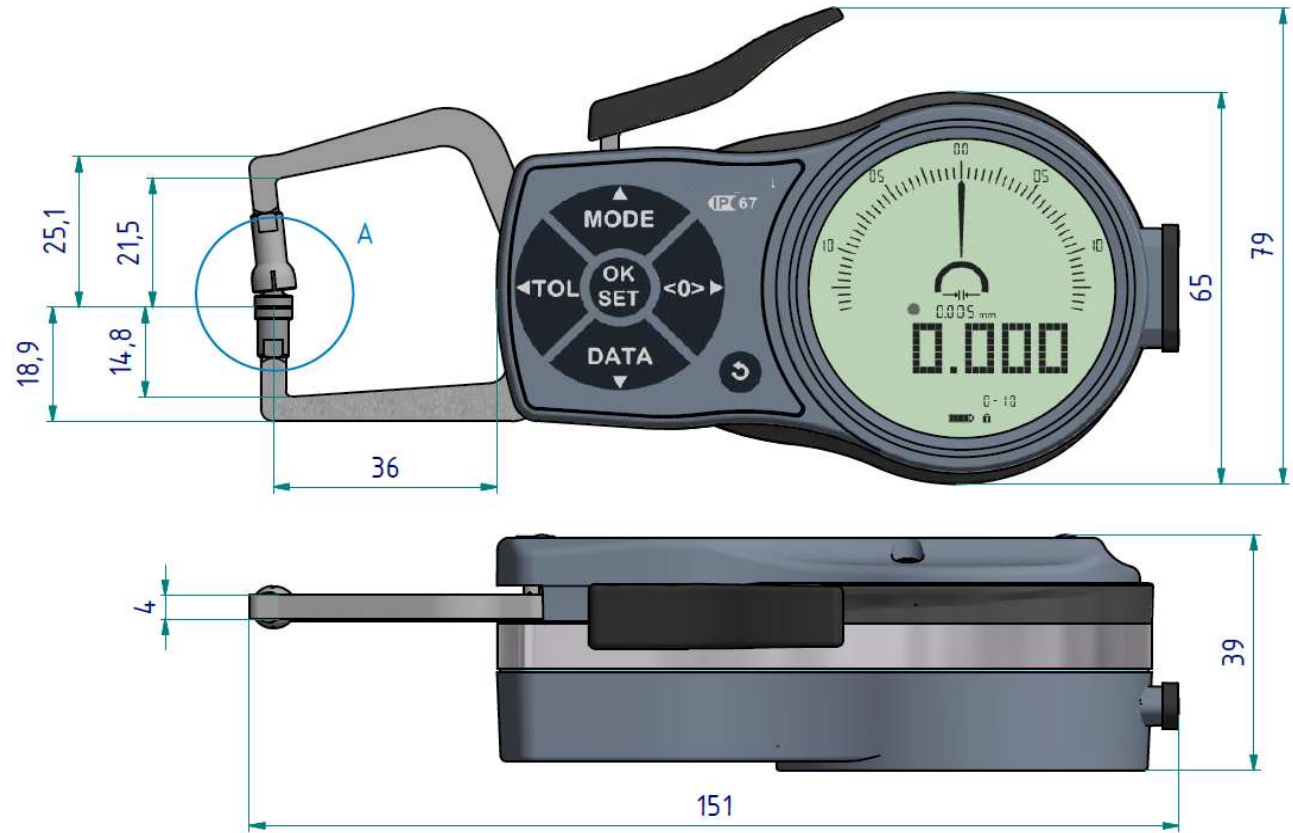
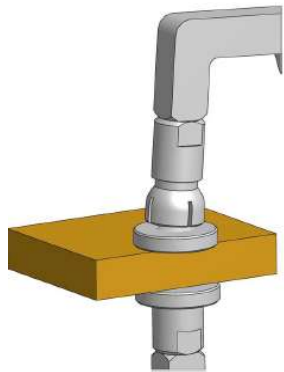
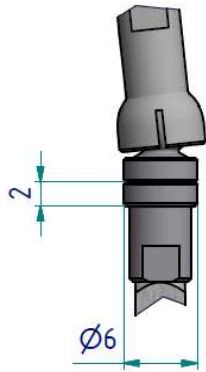


209-931

A ( 2 : 1 )



subject to technical alterations

type:	K	acceptable deviations VDI/VDE/DGQ 2618 Bl. 12.1/13.1
range:	0 - 10 mm	<b>max. permissible</b>
range of indication:	0 - 10,5 mm	errors "G": 0,03 mm
digital step:	0,005 mm	repeatability "r": 0,01 mm
scale interval:	-	reference temperature: 20° C
measuring force:	0,8 - 1,2 N	operation temperature: 10° C - 30° C
weight:	265 g	storage temperature: -10° C - 50° C

interface as accessories available:

