

# RZ Series Digital Force Gauges



The RZ Series digital force gauges are newly developed user-friendly gauges that have significantly improved the operability of conventional push-pull gauges while keeping their functions. They come with such convenient functions as data output by use of a newly adopted USB and charging and they also feature quick and easy operations such as changing sampling rates, changing over between three units, printer output and display reversing.

Their shape and buttons conventional concept. We provide complete warranty for these Models RZ-1 through RZ-100. Since there are many cases that breakage or failure occurs within one year after the delivery to the customer, the first case of breakage, overload trouble, etc. that may occur within one year after the delivery will be repaired by Aikoh free of charge. (This warranty, however, applies only to the gauges used in Japan and does not cover the gauges used overseas.)

## RZ Series Standard Specifications

Unit of measurement	N or (gf) kgf, N, lb selectable
Accuracy	Within $\pm 0.2\%$ of rated capacity
Allowable overload	120% of rated capacity (Overload alarm at about 110%)
Measurement system	Track mode/Peak hold mode/Compression-tension peak hold mode selectable
Indication update cycle	1, 2, 5, 10, 20 times/sec, selectable
Sampling cycle	1 ms, 5ms, 16ms, 50ms, 125ms, 250ms selectable
Working temperature range	0 to +40°C
Guaranteed temperature range	+5 to +40°C
Continuous working hours	30 hours after full charge
Power supply	Dedicated nickel-metal hydride AAA battery x3 Dedicated AC adaptor: MODEL-780 (DC5V/1000mA) Dedicated USB cable: MODEL-RZ-USB
External dimensions	W68xD40xH232mm
Mass	Approx. 375gs

## RZ Series Model List

Model	RZ-1	RZ-2	RZ-5	RZ-10	RZ-20	RZ-50	RZ-100
Rated capacity (R.C.)	10N (1kgf)	20N (2kgf)	50N (5kgf)	100N (10kgf)	200N (20kgf)	500N (50kgf)	1000N (100kgf)
Indication range	0.001-10.000N (0.1gf-1.0000kgf)	0.01-20.00N (1gf-2.000kgf)	0.01-50.00N (1gf-5.000kgf)	0.01-100.00N (1gf-10.000kgf)	0.1-200.0N (10gf-20.00kgf)	0.1-500.0N (10gf-50.00kgf)	0.1-1000.0N (10gf-100.00kgf)
Min. indication unit	0.001N (0.1gf)		0.01N (1gf)			0.1N (10gf)	

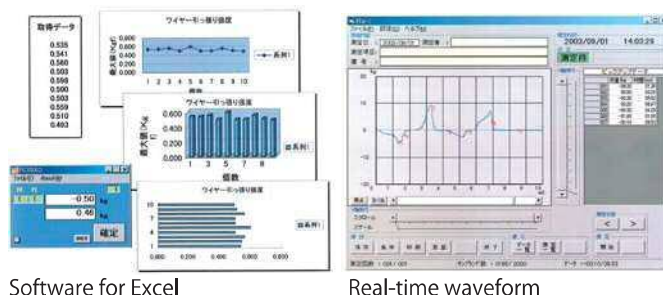
## RZ Series Optional Cables

I/O cable	RZ-OP-1
I/O cable	RZ-OP-2
MITUTOYO-made DP-1 VR printer cable	RZ-OP-3
SANEI ELECTRIC-made line thermal printer cable	RZ-OP-4

## RZ Series Standard Accessories



## RZ-3000 (Software dedicated to RZ Series)



Software for Excel

Real-time waveform

This is dedicated software designed to store data acquired by RZ Series in a PC. It acquires and sends real-time data to a PC to show waveform graphs and maximum values. Measurement data can be output in CSV files and output CSV files can be opened using Excel. The standard interface is the USB interface. (The USB cable is included with the RZ force gauge as a standard accessory.)

## Recommended Environment

Windows7, Japanese or English  
Memory: 2G bytes min.  
CD-ROM drive for program installation x1

# Digital force gauge RZE Series




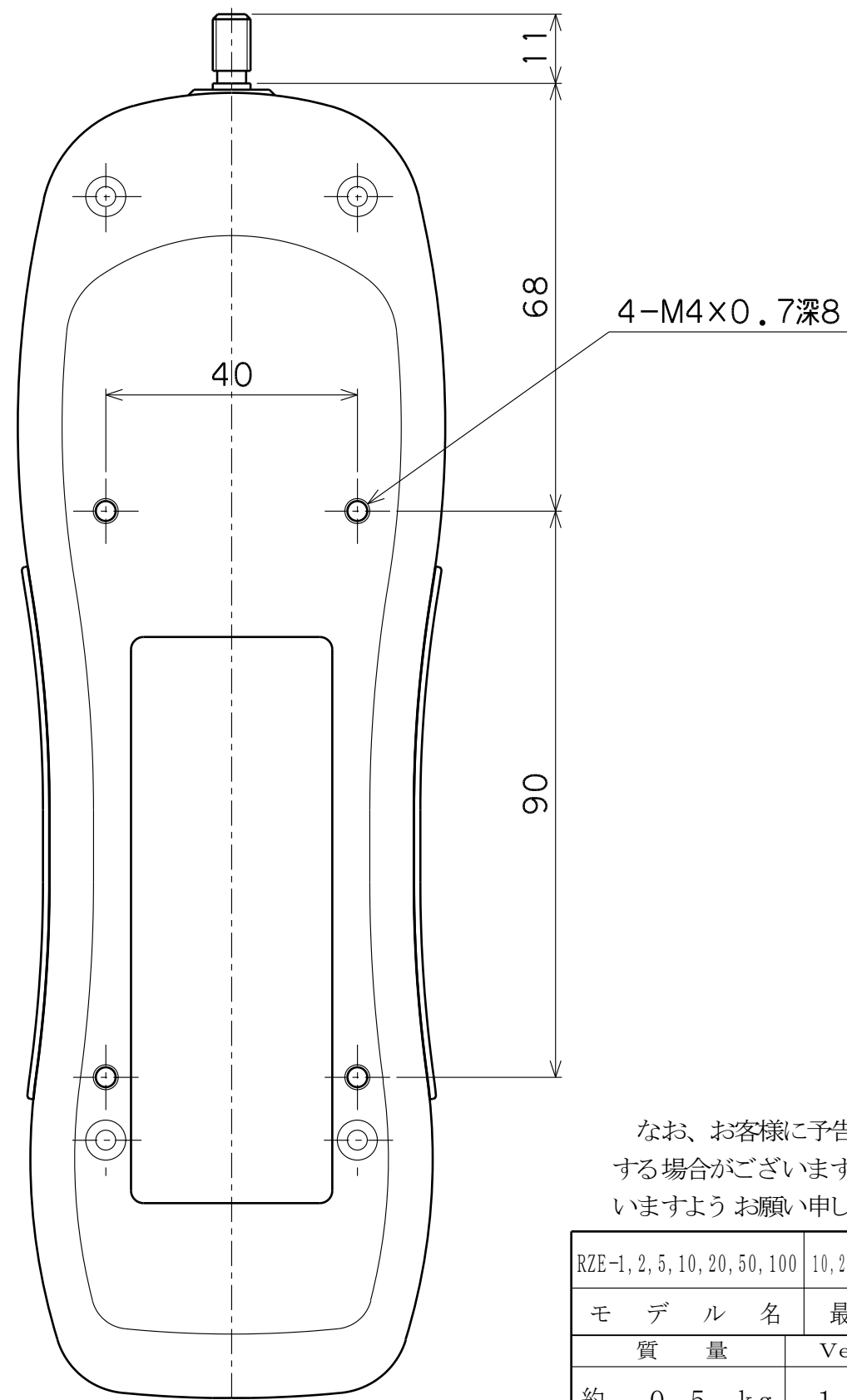
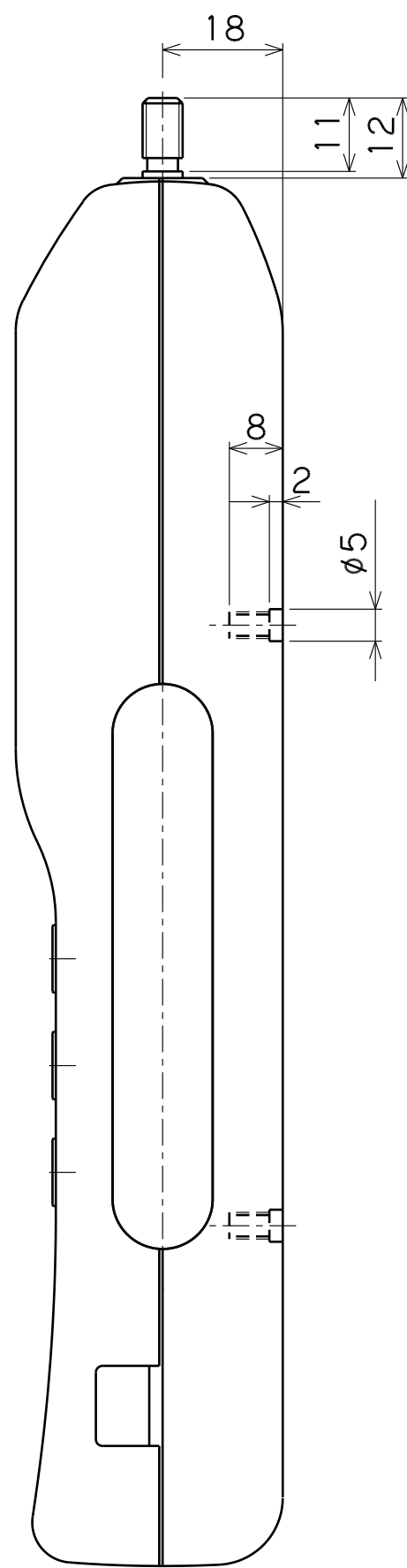
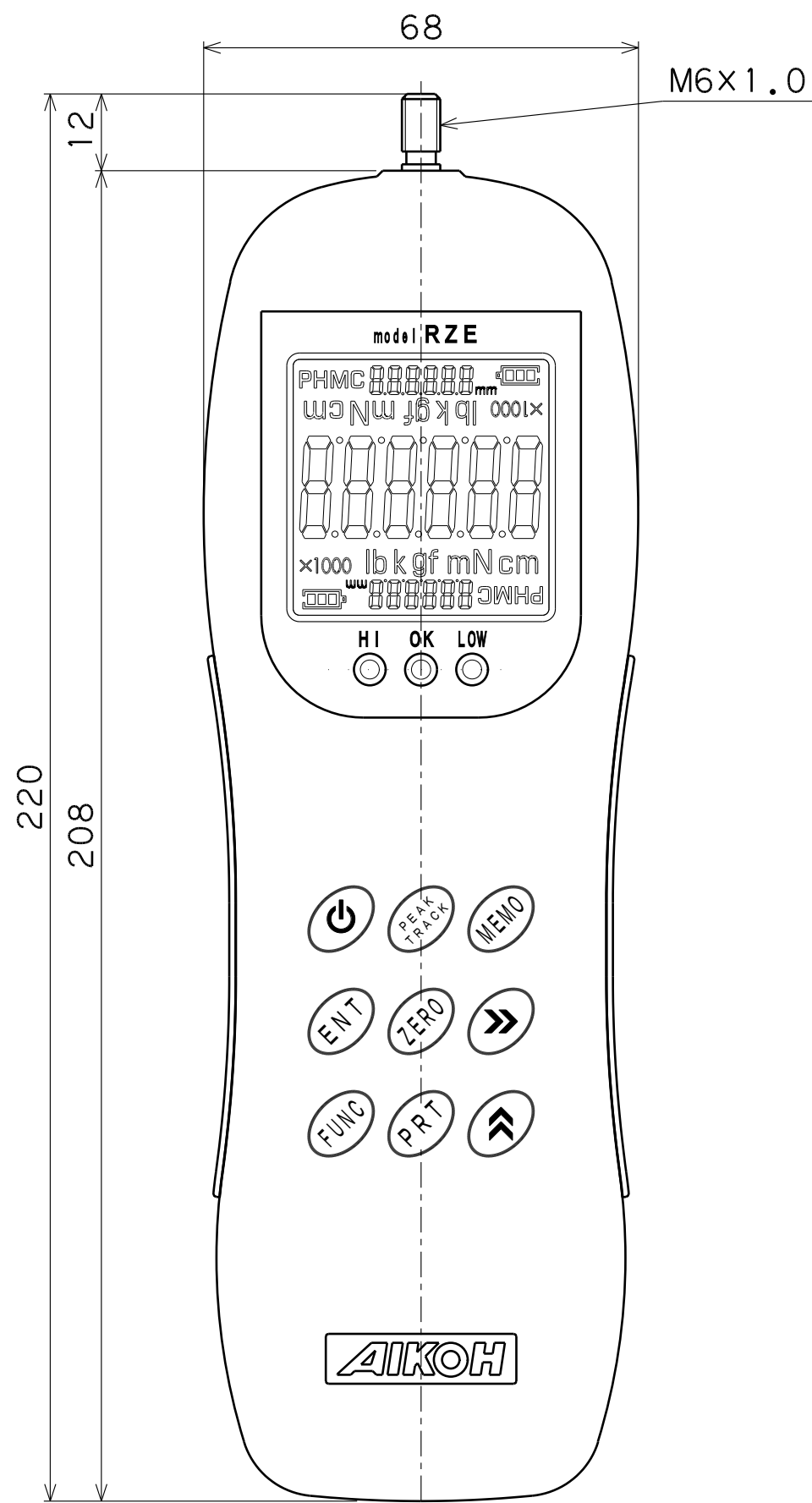
- Easy-to-read display.
- Auto power off function.
- USB data output.
- Analog output ( $\pm 2V$  F.S.).
- Multiple power supplies (100 – 240 V).
- Usable time: Approx. 30 hours after full charge.

## Examples of use

- Measurement of operating force(Switch, lever, door, drawer)
- Measurement of strength
- Measurement of peeling force

## Specifications

	RZE-1	RZE-2	RZE-5	RZE-10	RZE-20	RZE-50	RZE-100
Rated capacity	10N (1Kgf)	20N (2Kgf)	50N (5Kgf)	100N (10Kgf)	200N (20Kgf)	500N (50Kgf)	1000N (100Kgf)
Min. display unit	0.001N (0.1gf)	0.01N (1gf)			0.1N (10gf)		
Accuracy	±0.2%F.S.						
Sampling cycle	1 ms, 5 ms, 16 ms, 50 ms, 125 ms and 250 ms selectable						
Display update interval	1, 2, 5, 10, 20 times/sec. selectable						
Display	LCD, signed, 5 digits						
Output	USB output Analog voltage ±2V / F.S. Printer output Motorized stand control External connection hold						
Mass	Approx. 375g						
Power supply	Nickel-metal hydride battery, AC adapter Model 780(100VAC – 240VAC)						
Standard accessories	 <p>※Hook of 011B for RZE-100 is different from standard hook,the wire diameter is Φ 4</p>						
Options	Output cable, software RZ-3000, test stand, printer BL2-58SNWJC						
Optional cables	I/O cable RZE-OP-1, I/O cable RZE-OP-2, Mitutoyo DP-1VR printer cable RZE-OP-3, Sanei Electric line thermal printer cable RZE-OP-4 <b>RZE-OP-1 : For Stand control function only</b> <b>RZE-OP-2 : For Stand control function, Analog output and Comparator output</b>						



なお、お客様に予告なく、仕様変更  
 する場合がございます。ご了承ください  
 ますようお願い申し上げます。

RZE-1, 2, 5, 10, 20, 50, 100	10, 20, 50, 100, 200, 500, 1000N
モデル名	最大荷重
質量	Ver.
約 0.5 kg	1.00

**AIKOH**  
 ENGINEERING

# ゲージアタッチメント 011B-016B

011B					012B				
	尺度	1/1	個数	1		尺度	1/1	個数	1
013B					014B				
	尺度	1/1	個数	1		尺度	1/1	個数	1
015B					016B				
	尺度	1/1	個数	1		尺度	1/1	個数	1

予告なく、寸法・仕様等の変更をする場合がございますので、悪しからずご了承お願い申し上げます。

011B-016B		N
モデル名		容量
名称	ゲージアタッチメント	
質量	Ver.	
約 g	1.00	