

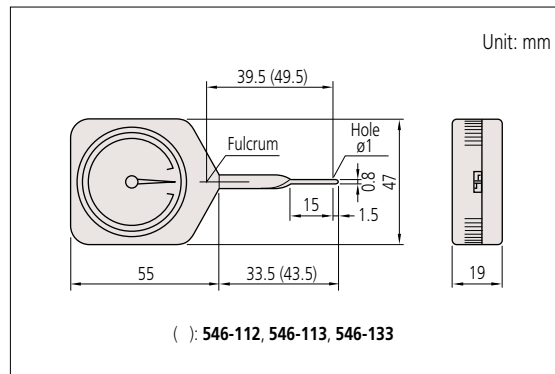
Measuring contact force on a relay



Contact Force Gage SERIES 546

- Contact Force Gages are widely used to determine the measuring force applied by an instrument to a workpiece, as well as contact forces of electrical relays, micro-switches, valves and precision springs.
- Thanks to the miniature anti-friction bearing in the fulcrum, stable measurement is guaranteed.
- 2 types are available: Standard and peak hold.

DIMENSIONS



Standard type
546-112



Standard type
546-119



Peak hold type
546-137

SPECIFICATIONS

mN-scale models

Standard			
Order No.	Graduation (mN)	Range (mN)	Accuracy (division)
546-112	2	6 - 50	±0.5
546-113	5	10 - 100	
546-114	10	30 - 300	

Peak hold			
Order No.	Graduation (mN)	Range (mN)	Accuracy (division)
—	—	—	—
546-133	5	10 - 100	±0.5
546-134	10	30 - 300	

Note: Please note that these products are only available in their standard forms; they cannot be customized for special sizes or specifications.

N-scale models

Standard			
Order No.	Graduation (N)	Range (N)	Accuracy (division)
546-115	0.02	0.06 - 0.5	±0.5
546-116	0.05	0.1 - 1	
546-117	0.05	0.15 - 1.5	
546-118	0.1	0.3 - 3	
546-119	0.2	0.6 - 5	

Peak hold			
Order No.	Graduation (N)	Range (N)	Accuracy (division)
546-135	0.02	0.06 - 0.5	±0.5
546-136	0.05	0.1 - 1	
546-137	0.05	0.15 - 1.5	
546-138	0.1	0.3 - 3	
546-139	0.2	0.6 - 5	

Note: Please note that these products are only available in their standard forms; they cannot be customized for special sizes or specifications.