

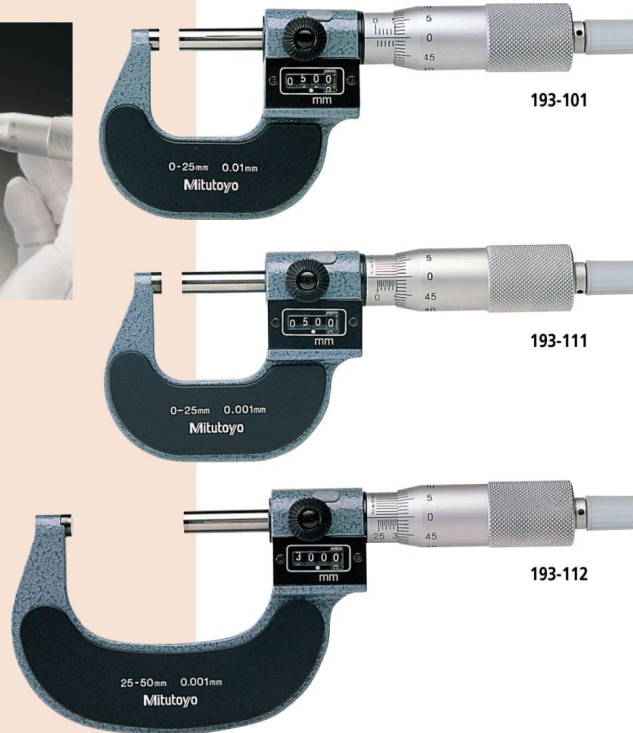
**Technical Data**

Counter Reading : 0.01 mm or 0.001 in  
 Flatness: 0.6 μm/0.000024 in  
 Parallelism:  
 (2 + R/100) μm, R = max. range (mm)  
 [0.00008 in + 0.00004(R/4)] in R = max. range (inch)  
 fraction rounded down  
 Standard accessories: Reference bar, 1 pc  
 (except for measuring range 0-25 mm (0-1 in) models)  
 Spanner (301336), 1 pc



**Digit Outside Micrometers  
 SERIES 193**

- Mechanical digit counter with 0.01 mm or 0.001 inch resolution for quick and error-free reading.
- Measuring faces: Carbide.
- Equipped with Ratchet Stop for constant measuring force.



**SPECIFICATIONS**

Metric With ratchet stop			
Order No.	Range	Graduation	Accuracy
193-101	0 - 25 mm	0.01 mm	±2 μm
193-111		0.001 mm	
193-102	25 - 50 mm	0.01 mm	
193-112		0.001 mm	
193-103	50 - 75 mm	0.01 mm	
193-113		0.001 mm	
193-104	75 - 100 mm	0.01 mm	±3 μm
193-114		0.001 mm	

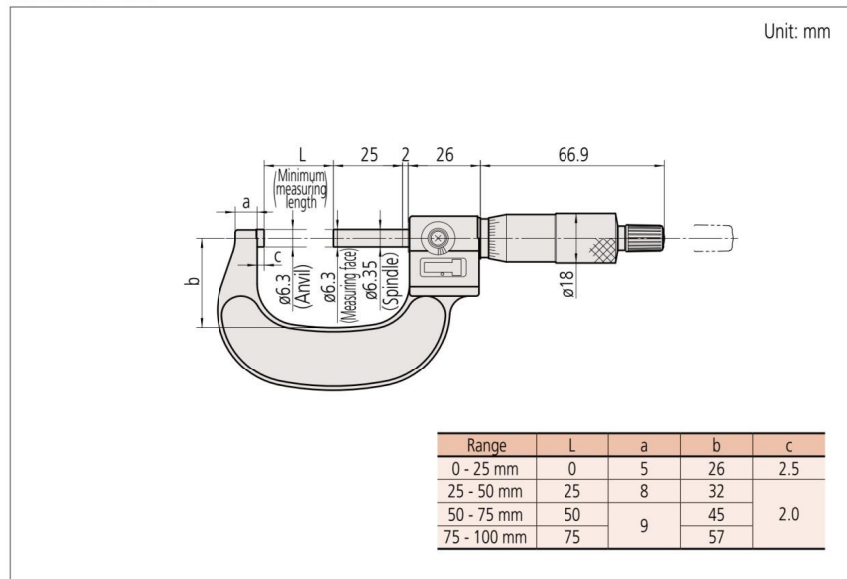
Inch With friction thimble			
Order No.	Range	Graduation	Accuracy
193-211	0 - 1 in	0.0001 in	±0.0001 in
193-212	1 - 2 in		

Inch With ratchet stop			
Order No.	Range	Graduation	Accuracy
193-213	2 - 3 in	0.0001 in	±0.00015 in
193-214	3 - 4 in		

Metric Micrometer set		
Order No.	Range	Models included
193-901	0 - 75 mm (3 pcs./set)	• 193-101, 193-102, 193-103 • 2 micrometer standards
193-902	0 - 100 mm (4 pcs./set)	• 193-101, 193-102, 193-103, 193-104 • 3 micrometer standards

Inch Micrometer set		
Order No.	Range	Models included
193-923	0 - 3 in (3 pcs./set)	• 193-211, 193-212, 193-213 • 2 micrometer standards

**DIMENSIONS**



Mitutoyo reserves the right to change any or all aspects of any product specification, including prices, designs and service content, without notice.