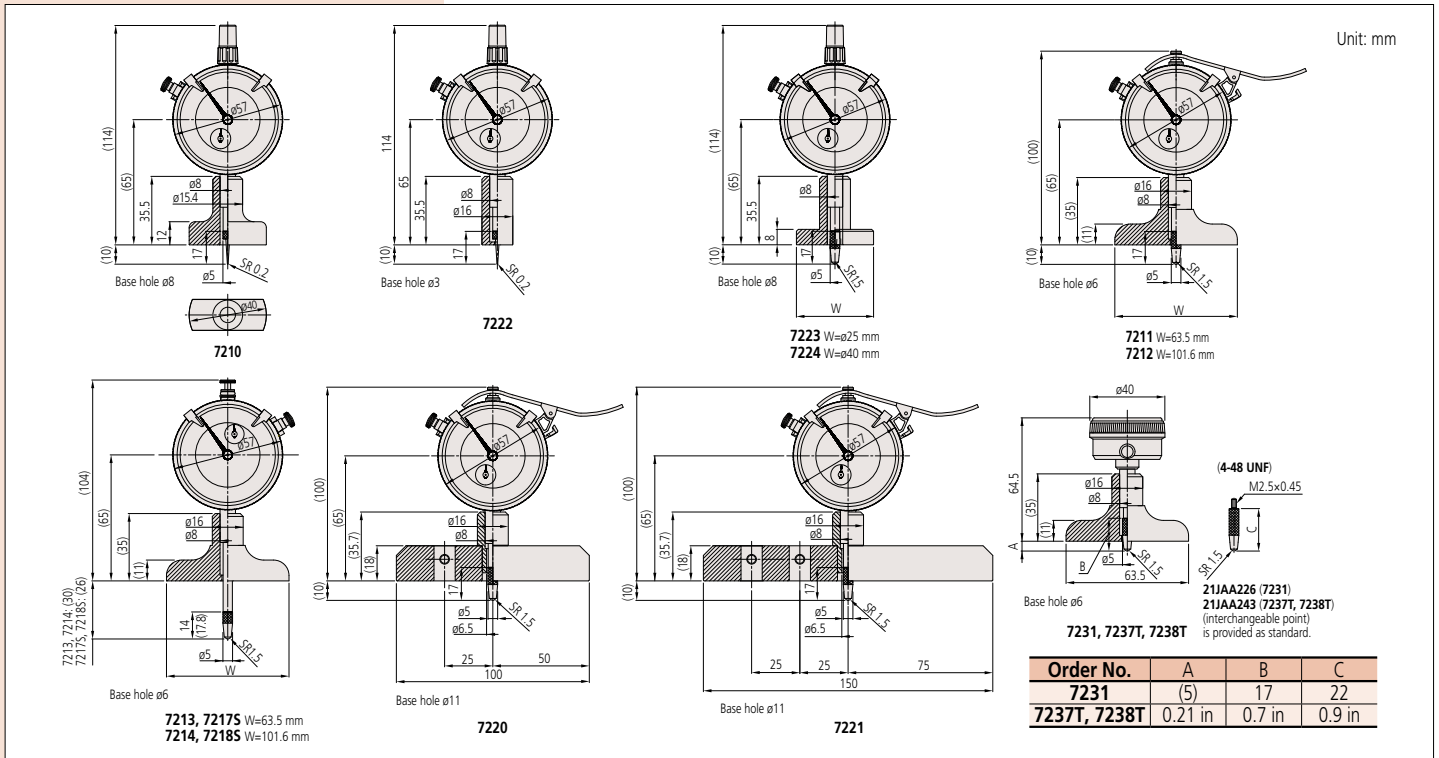


## DIMENSIONS



MeasurLink ENABLED  
Data Management Software by Mitutoyo

Products equipped with the measurement data output function can be connected to the measurement data network system MeasurLink (refer to page A-5 for details).

## ABSOLUTE Digimatic Depth Gage SERIES 547

MeasurLink ENABLED  
Data Management Software by Mitutoyo

- Easy-to-read dial effectively prevents misreading.

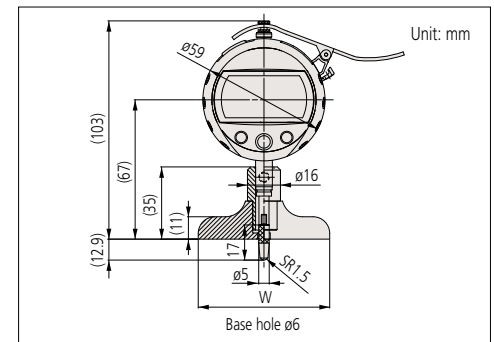
- Allows integration into statistical process control and measurement systems for models with measurement data output connector. (Refer to page A-3.)

ABSOLUTE™



547-211

## DIMENSIONS



## SPECIFICATIONS

### Metric

Order No.	Range (mm)	Resolution (mm)	Stroke (mm)	Accuracy*1 (µm)	Measuring force (N)	Base			Contact point*2	Extension rod*2	Indicator*2
						W (mm)	T (mm)	flatness (µm)			
547-211	0 - 200	0.01	12.7	±20	1.5	63.5	16	5	Provided with a carbide-tipped ball point (21JAA224)	5 pcs. (10, 20, 30, 30, 100 mm)	543-400B
547-212						101.6					
547-251		0.001		63.5							
547-252				101.6							

### Inch / Metric

Order No.	Range (in)	Resolution	Stroke (in)	Accuracy*1 (in)	Measuring force (N)	Base			Contact point*2	Extension rod*2	Indicator*2
						W (in)	T (in)	flatness (in)			
547-217S	0 - 8	0.0005 in/0.01 mm	0.5	±0.001	1.5	2.5	0.63	0.0002	Provided with a carbide-tipped ball point (21JAA242)	4 pcs. (0.5 in, 1 in, 2 in, 4 in)	543-402B
547-218S						4					
547-257S		0.00005 in/0.001 mm		±0.0002		2.5					
547-258S						4					

\*1 Excluding quantizing error of ±1 count

\*2 Refer to corresponding notes on page D-67.