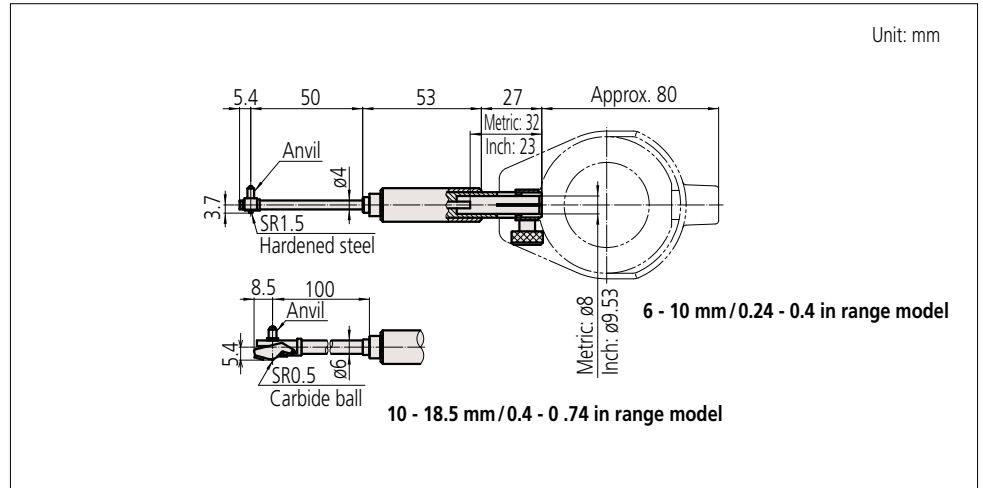
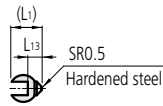




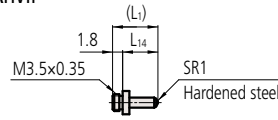
DIMENSIONS



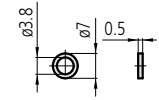
511-209/511-214
Anvil



511-201/511-205
Anvil



Interchangeable washer
(Supplied only with 511-201/511-205)



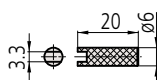
204355

STANDARD ACCESSORIES

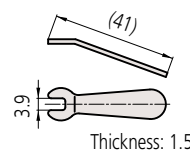
| Bore gage (Main body) | Anvil | | | | | Interchangeable Washer | Spanner |
|--------------------------|------------|-----------|------------------------------|----------------|-----------------|------------------------|-----------|
| | Marked No. | Order No. | Indication of measuring size | L ₁ | L ₁₃ | Order No. | Order No. |
| 511-209 511-214 | 1 | 952168 | 6.0 mm/0.24 in | 4.7 | 1.2 | Not supplied | 206709 |
| | 2 | 952169 | 6.5 mm/0.26 in | 5.3 | 1.7 | | |
| | 3 | 952170 | 7.0 mm/0.28 in | 5.8 | 2.2 | | |
| | 4 | 952414 | 7.5 mm/0.30 in | 6.3 | 2.7 | | |
| | 5 | 952415 | 8.0 mm/0.32 in | 6.8 | 3.2 | | |
| | 6 | 952416 | 8.5 mm/0.34 in | 7.3 | 3.7 | | |
| | 7 | 952417 | 9.0 mm/0.36 in | 7.8 | 4.2 | | |
| | 8 | 952418 | 9.5 mm/0.38 in | 8.3 | 4.7 | | |
| | 9 | 952419 | 10.0 mm/0.40 in | 8.8 | 5.2 | | |

| Bore gage (Main body) | Anvil | | | | | Interchangeable Washer | Spanner |
|--------------------------|------------|-----------|------------------------------|----------------|-----------------|------------------------|-----------|
| | Marked No. | Order No. | Indication of measuring size | L ₁ | L ₁₄ | Order No. | Order No. |
| 511-201 511-205 | 1 | 204356 | 10 mm/0.40 in | 3.8 | 2 | 204355 | 204354 |
| | 2 | 204357 | 11 mm/0.44 in | 4.8 | 3 | | |
| | 3 | 204358 | 12 mm/0.48 in | 5.8 | 4 | | |
| | 4 | 204359 | 13 mm/0.52 in | 6.8 | 5 | | |
| | 5 | 204360 | 14 mm/0.56 in | 7.8 | 6 | | |
| | 6 | 204361 | 15 mm/0.60 in | 8.8 | 7 | | |
| | 7 | 204362 | 16 mm/0.64 in | 9.8 | 8 | | |
| | 8 | 204363 | 17 mm/0.68 in | 10.8 | 9 | | |
| | 9 | 204364 | 18 mm/0.72 in | 11.8 | 10 | | |

Spanner
206709



204354



Unit: mm