

Inside Micrometers

For easy and accurate measurement of inside size and diameter

Inside Micrometers

SERIES 141 — Interchangeable Rod Type

- Wide range of inside measurements possible by combining one or more interchangeable rods.
- For models supplied with more than one interchangeable rod, the full measuring range is achieved by combining spacing collars with the rods.
- The sleeve is rotated to adjust the reference point adjustment when setting to a length standard.
- Optional Setting Rings (nominal size below 300 mm), CERA Inside Micro Checker and Gauge Block Accessory Sets are available as reference gages for datum adjustment. (Refer to pages C-47, C-26, and E-17 to E-20 for details)



141-101



When using one of the extension rods supplied (Measuring range 43 to 50 mm)

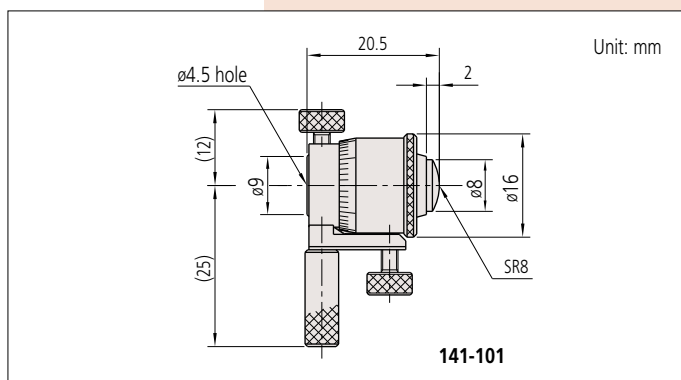
When using one of the extension rods supplied (Measuring range 25 to 32 mm)

Technical Data

- Spindle feed error 3 μm/0.00015 in
- Note: "Spindle feed error" refers to the difference between the maximum and minimum indication error values within the specification range of the micrometer head



DIMENSIONS



SPECIFICATIONS

Metric				
Order No.	Range (mm)	Graduation (mm)	Micrometer head stroke (mm)	Remarks
141-101 / 141-103*	25 - 50	0.01	7	with 2 rods
141-205 / 141-211*	50 - 200		13	with 3 rods
141-206 / 141-212*	50 - 300		13	with 5 rods
141-117	200 - 500		25	with 3 rods
141-118	200 - 1000		25	with 8 rods

* With carbide measuring face

Inch				
Order No.	Range (in)	Graduation (in)	Micrometer head stroke (in)	Remarks
141-102 / 141-104*	1 - 2	0.001	0.25	with 2 rods
141-208 / 141-214*	2 - 8		0.5	with 3 rods
141-233 / 141-215*	2 - 12		0.5	with 5 rods
141-121	8 - 20		1	with 3 rods
141-122	8 - 40		1	with 8 rods

* With carbide measuring face

Metric			
Micrometer head only model			
Order No.	Range (mm)	Graduation (mm)	Micrometer head stroke (mm)
141-001 / 141-003*	25 - 32	0.01	7
141-025 / 141-027*	50 - 63		13
141-009 / 141-011*	200 - 225		25

* With carbide measuring face

Inch			
Micrometer head only model			
Order No.	Range (in)	Graduation (in)	Micrometer head stroke (in)
141-002 / 141-004*	1 - 1.25	0.001	0.25
141-026 / 141-028*	2 - 2.5		0.5
141-010 / 141-012*	8 - 9		1

* With carbide measuring face