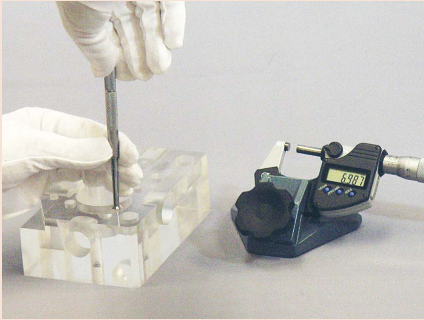
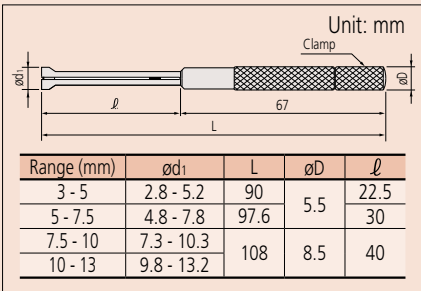


Small Hole Gage Set SERIES 154



DIMENSIONS



- Extra long for gaging deep and shallow holes, slots, and similar workpiece features.

- Two sprung leaves are fully expanded inside a feature so that its size can be measured with an outside micrometer after extraction.



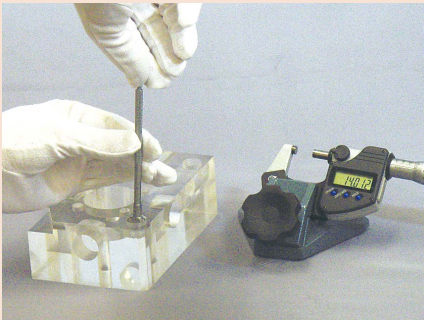
154-902

SPECIFICATIONS

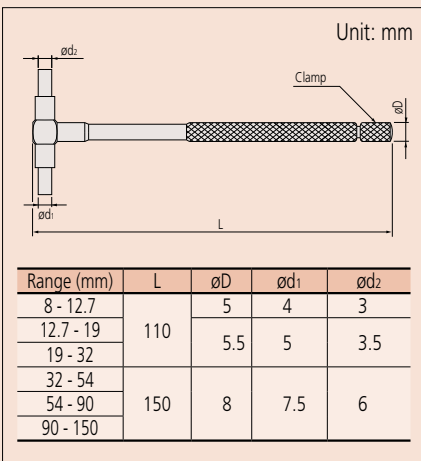
Metric	
Order No.	Range (mm)
4-gage Set	
154-902	3 - 13
Gages included	
154-101	3 - 5
154-102	5 - 7.5
154-103	7.5 - 10
154-104	10 - 13

Inch	
Order No.	Range (in)
4-gage Set	
154-901	0.125 - 0.5
Gages included	
154-105	0.125 - 0.2
154-106	0.2 - 0.3
154-107	0.3 - 0.4
154-108	0.4 - 0.5

Telescoping Gage Set SERIES 155



DIMENSIONS



- A spring-loaded plunger expands within a bore (or groove) and is locked in place allowing measurement of diameter (or width) with an outside micrometer after extraction.



155-905

SPECIFICATIONS

Metric	
Order No.	Range (mm)
6-gage Set	
155-905	8 - 150
Gages included	
155-127	8 - 12.7
155-128	12.7 - 19
155-129	19 - 32
155-130	32 - 54
155-131	54 - 90
155-132	90 - 150

Inch	
Order No.	Range (in)
6-gage Set	
155-903	0.313 - 6
Gages included	
155-121	0.313 - 0.5
155-122	0.5 - 0.75
155-123	0.75 - 1.25
155-124	1.25 - 2.125
155-125	2.125 - 3.5
155-126	3.5 - 6